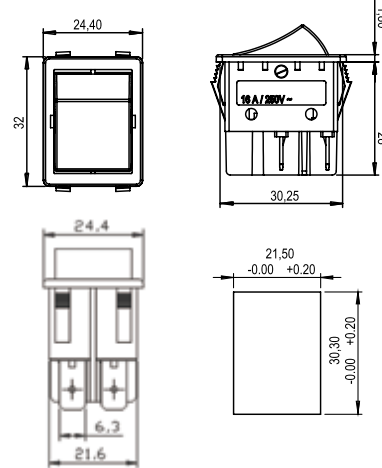
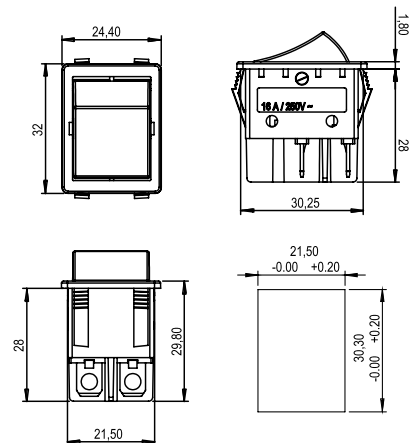


Rocker Switch With Light / Without Light - Socket



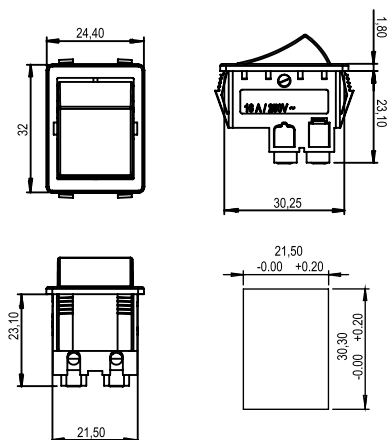
BODY	ROCKER	TERMINALS	CONTACTS	RATED VOLTAGE	RATED CURRENT
PA 66 V2	POLYCARBONATE	MS70 BRASS	0.3X0.8X Ag+Cu	AC 250	16 A NO+1NC
PRODUCT NAME			CODE NO		
Red Light ON - OFF / I-0			2148.03.1		
Light Yellow - Lamp			2148.03.2		
Green Light - Cooling			2148.03.3		
Red Light - Fan			2148.03.4		
Unlit Red ON - OFF / I-0			2148.03.5		
Unlit Yellow - Lamp			2148.03.6		
Unlit Green - Cooling			2148.03.7		
Unlit Red - Fan			2148.03.8		

Rocker Switch With-Without Light / 4 screw connection



BODY	ROCKER	TERMINALS	CONTACTS	RATED VOLTAGE	RATED CURRENT
PA 66 V2	POLYCARBONATE	MS70 BRASS	0.3X0.8X Ag+Cu	AC 250	16 A NO+1NC
PRODUCT NAME			CODE NO		
Red Light ON - OFF / I-0			2148.03.9		
Light Yellow - Lamp			2148.03.10		
Green Light - Cooling			2148.03.11		
Red Light - Fan			2148.03.12		

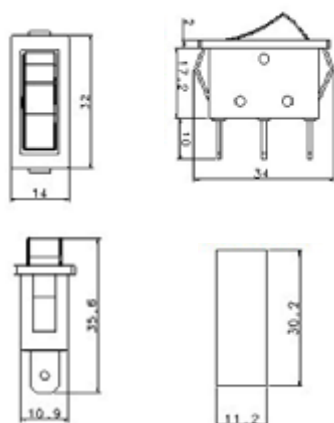
BASIC SWITCHES



Rocker Switch With Light / Without Light-terminals



BODY	ROCKER	TERMINALS	CONTACTS	RATED VOLTAGE	RATED CURRENT
PA 66 V2	POLYCARBONATE	MS70 BRASS	0.3X0.8X Ag+Cu	AC 250	16 A NO+1NC
PRODUCT NAME				CODE NO	
Light Clamp Red ON - OFF / I-0				2148.03.17	

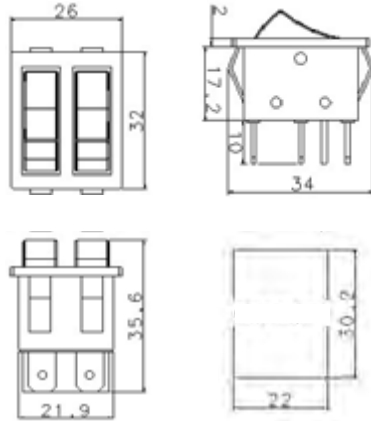


Thin switch with light / socket



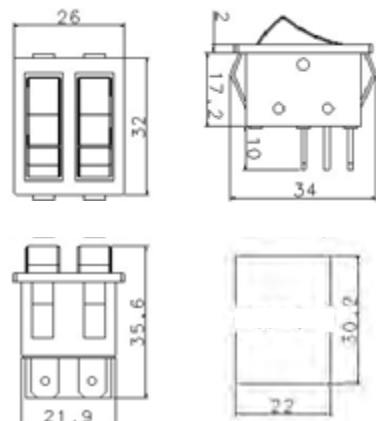
BODY	ROCKER	TERMINALS	CONTACTS	RATED VOLTAGE	RATED CURRENT
PA 66 V2	POLYCARBONATE	MS70 BRASS	0.3X0.8X Ag+Cu	AC 250	16 A NO+1NC
PRODUCT NAME				CODE NO	
Red Light ON - OFF / I-0				2148.03.18	
Light Yellow - Lamp				2148.03.19	
Green Light - Cooling				2148.03.20	

Double switch with light / socket



BODY	ROCKER	TERMINALS	CONTACTS	RATED VOLTAGE	RATED CURRENT
PA 66 V2	POLYCARBONATE	MS70 BRASS	0.3X0.8X Ag+Cu	AC 250	16 A NO+1NC
PRODUCT NAME			CODE NO		
Red Light ON - OFF / I-0			2148.03.23		
Light Yellow - Lamp			2148.03.24		
Green Light - Cooling			2148.03.25		

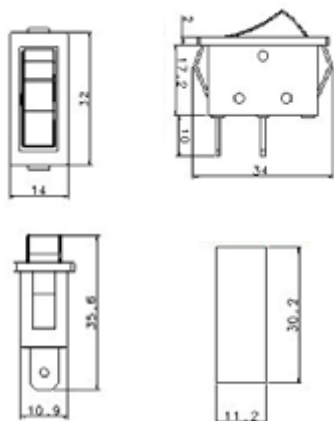
Double switch without light / socket



BODY	ROCKER	TERMINALS	CONTACTS	RATED VOLTAGE	RATED CURRENT
PA 66 V2	PA 66 V2	MS70 BRASS	0.3X0.8X Ag+Cu	AC 250	16 A NO+1NC
PRODUCT NAME			CODE NO		
Unlit Red ON - OFF / I-0			2148.03.26		

BASIC SWITCHES

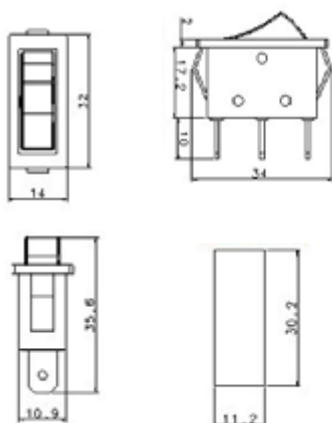
RSM



Thin switch without light / socket



BODY	ROCKER	TERMINALS	CONTACTS	RATED VOLTAGE	RATED CURRENT
PA 66 V2	PA 66 V2	MS70 BRASS	0.3X0.8X Ag+Cu	AC 250	16 A NO+1NC
PRODUCT NAME			CODE NO		
Thin switch without light / socket			2148.03.21		

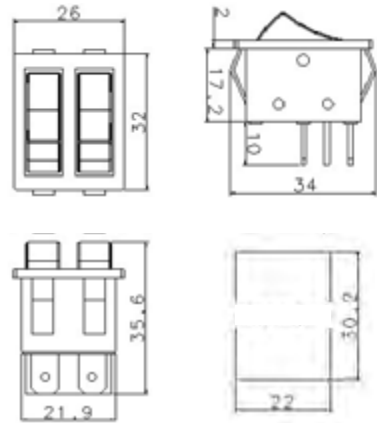


Thin switch with colour / socket



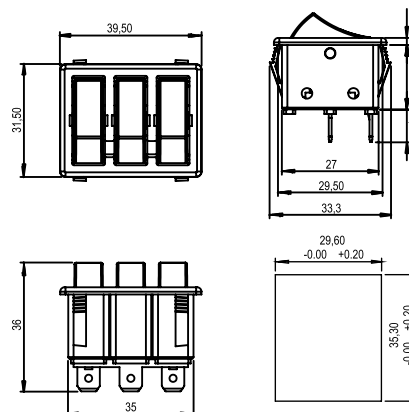
BODY	ROCKER	TERMINALS	CONTACTS	RATED VOLTAGE	RATED CURRENT
PA 66 V2	PA 66 V2	MS70 BRASS	0.3X0.8X Ag+Cu	AC 250	16 A NO+1NC
PRODUCT NAME			CODE NO		
Thin switch with colour / socket			2148.03.22		

Double switch with color



BODY	ROCKER	TERMINALS	CONTACTS	RATED VOLTAGE	RATED CURRENT
PA 66 V2	PA 66 V2	MS70 BRASS	0.3X0.8X Ag+Cu	AC 250	16 A NO+1NC
PRODUCT NAME			CODE NO		
Double switch with color			2148.03.27		

Triple switch without light

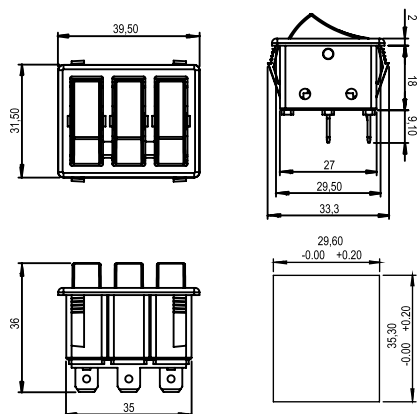


BODY	ROCKER	TERMINALS	CONTACTS	RATED VOLTAGE	RATED CURRENT
PA 66 V2	PA 66 V2	MS70 BRASS	0.3X0.8X Ag+Cu	AC 250	16 A NO+1NC
PRODUCT NAME			CODE NO		
Triple switch without light			2148.03.28		

BASIC SWITCHES



Triple switch with color



BODY	ROCKER	TERMINALS	CONTACTS	RATED VOLTAGE	RATED CURRENT
PA 66 V2	PA 66 V2	MS70 BRASS	0.3X0.8X Ag+Cu	AC 250	16 A NO+1NC
PRODUCT NAME				CODE NO	
Triple switch with color				2148.03.29	

Plug with Switch



Plug with dimmer



Rocker middle switch



BODY	RATED VOLTAGE	RATED CURRENT
ABS	AC 250	16 A
PRODUCT NAME		CODE NO
Plug with Switch		2148.03.31

BODY	RATED VOLTAGE	RATED CURRENT
ABS	AC 250	MAKS. 500W
PRODUCT NAME		CODE NO
Plug with dimmer		2148.03.32

BODY	ROCKER	TERMINALS	CONTACTS	RATED VOLTAGE	RATED CURRENT
ABS	ABS	MS70 BRASS	0.3X0.8X Ag+Cu	AC 250	16 A NO+1NC
PRODUCT NAME				CODE NO	
Rocker middle switch				2148.03.30	