

BUTTON SWITCH

RSM



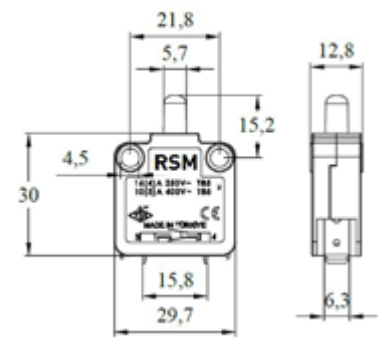
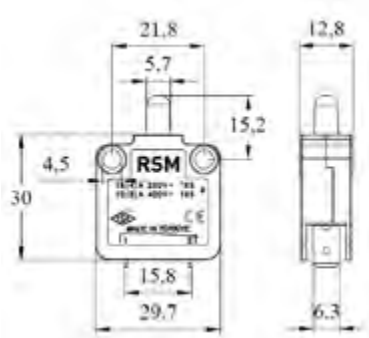
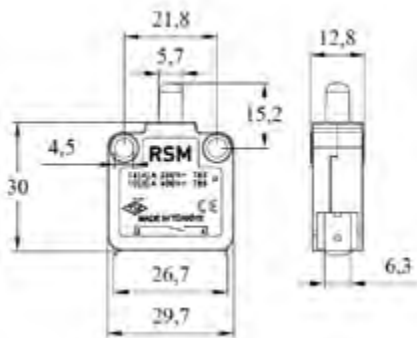
2148.02.1
Button Switch, 1NO



2148.02.2
Button Switch, 1NC



2148.02.3
Button Switch, 1NO+1NC



General Features

- High precision
- Maximum product reliability with V0 material
- Snap or slow action
- Long life time
- High contact reliability

Technical Features

Mechanical Life	: 1.000.000 operations min. (60 cyc/min)
Electrical Life	: 100.000 operations min. (15 cyc/min)
Operating Temperature	: -15/+85 °C
Protection Degree	: IP40
Operating Voltage (Ue)	: 250V AC
Operating Current (Ie)	: 16 (4) A
Insulation Voltage (Ui)	: 690V
Impact Resistance (Uimp)	: 2,5 kV
Short Circuit Breaking Capacity (Icn)	: 1 kA
Operating Frequency (f)	: 50 Hz.
Insulation Resistance	: 10 MΩ min. (500V DC)
Utilization Category	: AC15 - AC3
Dielectric Strength	: 1.500V AC (for 1 minute)
Pollution Degree	: 3
Standard	: TS EN 60947-5-1

Code No	Contact Type	Contact Scheme	Block Type	Block Material	Pcs in Box
2148.02.1	1NO - Snap Action		Pim	Plastic	20
2148.02.2	1NC - Snap Action		Pim	Plastic	20
2148.02.3	1NO+1NC - Double Circuit Snap Action		Pim	Plastic	20