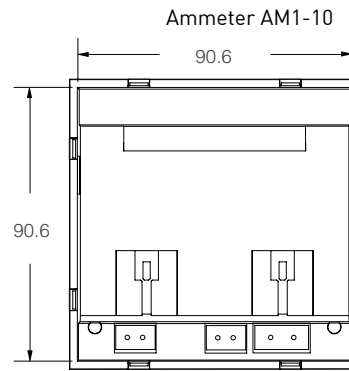
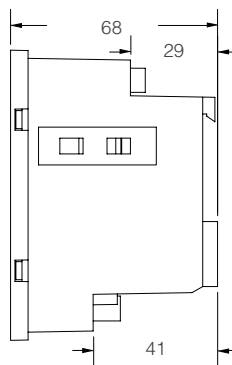
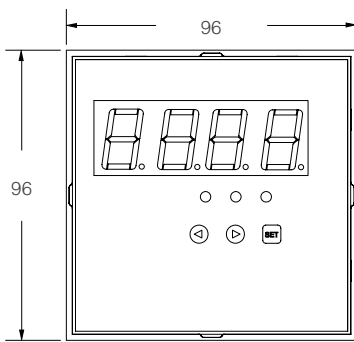


# AMMETER AM1-10 / AM1-10AT / AM1-11

RSM



Specifications	AM1-10 / AM1-10AT	AM1-11
Operating voltage	150-300V AC/DC	150-300V AC/DC
Operating frequency	50/60Hz	50/60Hz
Temperature range	-20 C° / +70 C°	-20 C° / +70 C°
Supply power consumption	< 4 VA (Maximum)	< 4 VA (Maximum)
Class	%1 ±1 digit	%1 ±1 digit
Outputs relay	-	1 pcs NO 5A 250V
Safety class	IP20	IP20
Cable thickness for terminal connection	2,5mm <sup>2</sup>	2,5mm <sup>2</sup>
Weight 220g / 275g	< 220g / 275g	< 235g

Model No	Code No										
AM1-10	2141.02.1	•	•	•	-	-	•	•	•	•	•
AM1-10T*	2141.02.2	•	•	•	-	-	•	•	•	•	•
AM1-11	2141.02.3	•	•	•	•	•	•	•	•	•	•

Single-phase Current	•
Demand	•
Max Demand	•
Contact Output (single relay)	•
Over/Low protection	•
...X/5A (Current trans. ratio)	•
96X96	•
Panel Type	•
Rail Type	•
1 Display 4 Digit	•
150-300V AC/DC Feeding	•

\* CT-20 is supplied with current transformer.

## MULTIMETER / AMMETER / VOLTMETER

The logo for RSM, consisting of the letters 'RSM' in a bold, red, sans-serif font, enclosed within a red square border that is open on the top and right sides.

### MULTIMETER / AMMETER / VOLTMETER

Product Name	Code No	Pcs in Box	Pcs Pack.
MT3-20	2141.01.1	1	12
MT3-21	2141.01.2	1	12
MT3-22	2141.01.3	1	12
MT3-22C	2141.01.4	1	12
MT6-22C	2141.01.5	1	12
AM1-10	2141.02.1	1	12
AM1-10AT	2141.02.2	1	12
AM1-11	2141.02.3	1	12
VM1-10	2141.03.1	1	12
VM1-11	2141.03.2	1	12
VMT-21	2141.03.3	1	12