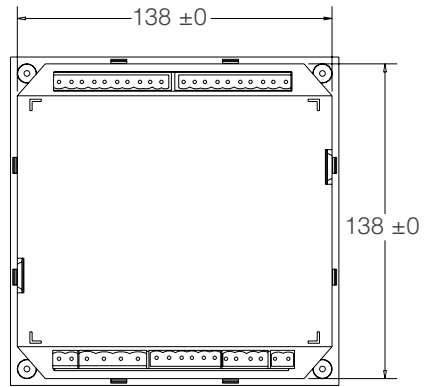
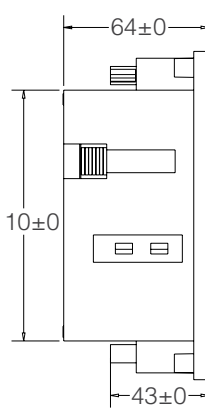
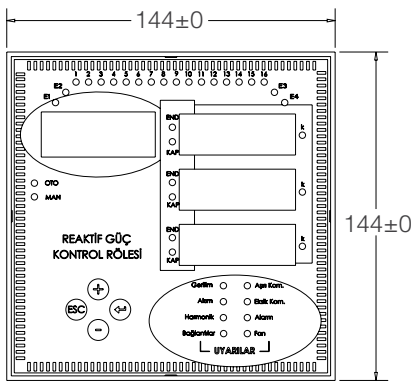


REACTIVE POWER COMPENSATION RELAY



Model No	Code No																						
RCR-18	2142.01.1	16	-																				
RCR-18C	2142.01.2	16	•																				
RCR-20E	2142.01.3	20	-																				
RCR-20EC	2142.01.4	20	•																				

RCR-18 / RCR-18C / RCR-20E / RCR-20EC



Specifications	
Operating Voltage (Un)	220V AC
Operating Measuring Range	3mA - 6A
Operating Voltage Range	(0.68 - 1.36)xUn (150-300Volt)
Operating Current Range	0.015 - 6 A
Operating Frequency	50 Hz
Operating Temperature Range	-30 to +85 degree
Number of Ranges	16 capacitors, 2+2 inductors (+2 alarm and fan out change)
Range Powers	Mono phase, three phase and between phases able to connecting Capacitors or Inductors,automatic steps power sense
Power Consumption	<4VA
Relay Contact capacity	5A
Screen	1 line 4 digits alpha numeric and 3 line 4 digits 7 segment led display
Wire Diameter	2.5 mm2
Safety Class	IP20 and IP40
Connection Type	Terminal connection
Displayed Parameters	Cos ϕ , Current, Voltage, frequency, Total active, inductive, capacitive energies Apparent power, active power, reactive power Harmonic measuring (include 21. harmonic) Temperature measuring, real time calendar and hour
Measuring Accuracy	Voltage, current and Cos ϕ = %1 Active, reactive and apparent power = 1%
Setting Limits	Temperature between 25 to 85 degree = +/- 5 degree Target Cos ϕ = 0.8 inductive to 0.8 capacitive Akım Trafosu Oranı = 5 / 5 ile 5000 / 5 aras› Current transformer ratio = 5/5 to 5000/5
RS 485 Communication ModBus	Address range = 1 to 247 Baud rate = 1200, 2400, 4800, 9600, 19200 and 38400 bps
Load Profile	Record period = 1, 5, 10, 15, 30, 60 minute Record type = Energies and 3 phase x 3 channel change Max record time = 19 hours to 48 day
Error Log Records	Max record number = 192 number
Alarm Functions	Low and over voltage, Over current, over temperature, Harmonic protection, Poor or over compensation, Rate error
Fan Function	On board temperature control relay
Password Protection	Exist

Product Name	Code No	Pcs in Box	Pcs Pack.
RCR-18	2142.01.1	1	6
RCR-18C	2142.01.2	1	6
RCR-20E	2142.01.3	1	6
RCR-20EC	2142.01.4	1	6