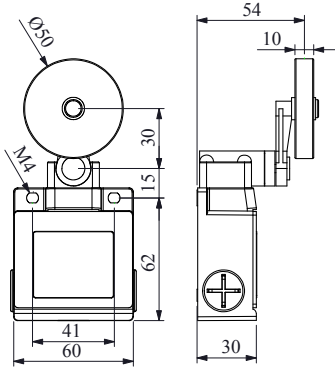
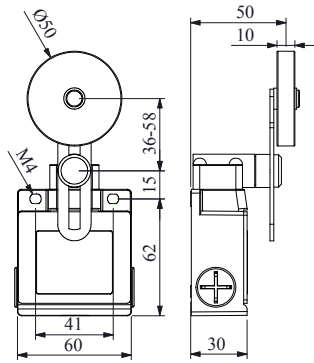


**LIMIT SWITCHES
METAL BODY IP65**



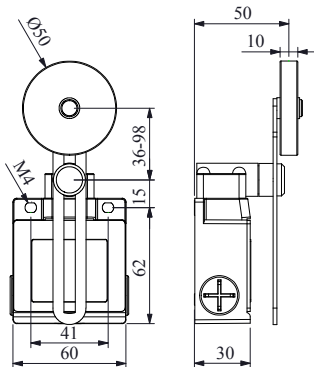
Rotary Ø 50 mm Rubber Roller
Lever With Angular Action (Snap Action)

Code No	Contact Type	Body Material	End Unit Type	End Unit Material
2146.03.1	1NO+1NC	Metal	Roller	Rubber



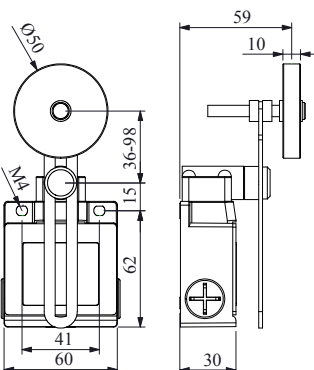
Rotary Ø 50 mm Rubber Roller Short Lever Length
Adjustable With Angular Action (Snap Action)

Code No	Contact Type	Body Material	End Unit Type	End Unit Material
2146.03.2	1NO+1NC	Metal	Roller	Rubber



Rotary Ø 50 mm Rubber Roller Long Lever Length
Adjustable With Angular Action (Snap Action)

Code No	Contact Type	Body Material	End Unit Type	End Unit Material
2146.03.3	1NO+1NC	Metal	Roller	Rubber



Rotary Ø 50 mm Rubber Roller Long Lever Length and
Height Adjustable With Angular Action (Snap Action)

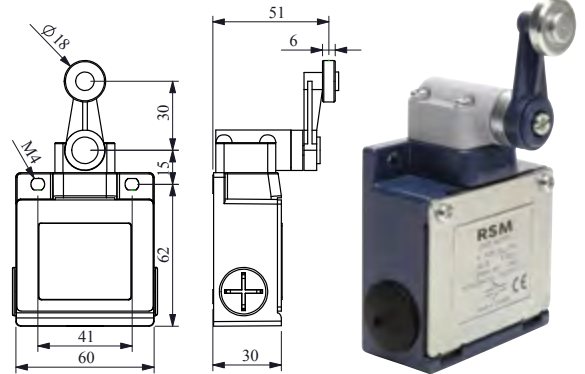
Code No	Contact Type	Body Material	End Unit Type	End Unit Material
2146.03.4	1NO+1NC	Metal	Roller	Rubber

LIMIT SWITCHES METAL BODY IP65

RSM

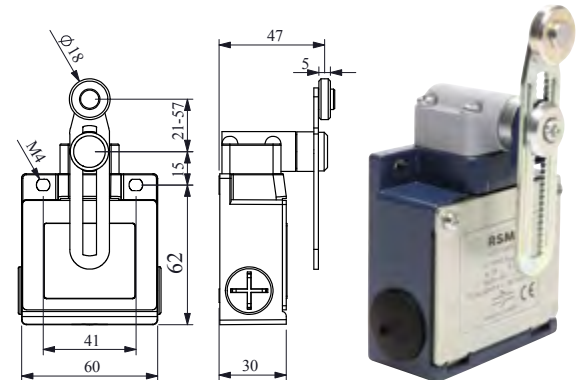
Rotary Ø 18 mm Metal Roller
Lever With Angular Action (Snap Action)

Code No	Contact Type	Body Material	End Unit Type	End Unit Material
2146.03.5	1NO+1NC	Metal	Roller	Metal



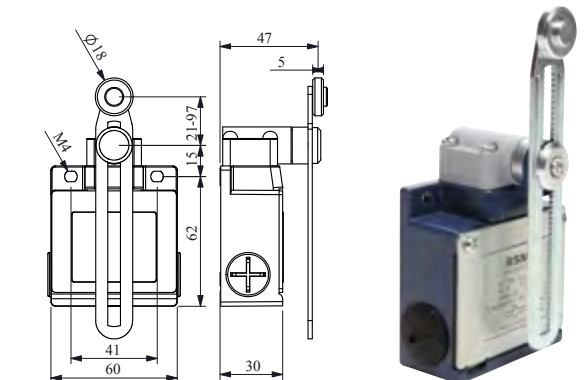
Rotary Ø 18 mm Metal Roller Short Lever Length
Adjustable With Angular Action (Snap Action)

Code No	Contact Type	Body Material	End Unit Type	End Unit Material
2146.03.6	1NO+1NC	Metal	Roller	Metal



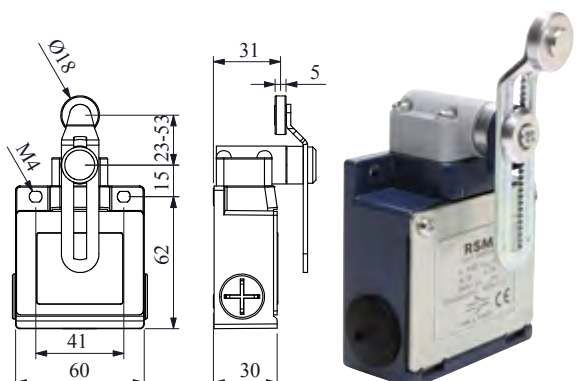
Rotary Ø 18 mm Metal Roller Long Lever Length Adjustable
With Angular Action (Snap Action)

Code No	Contact Type	Body Material	End Unit Type	End Unit Material
2146.03.7	1NO+1NC	Metal	Roller	Metal

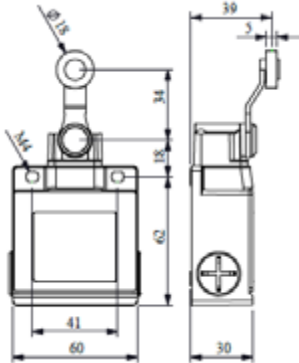


Rotary Ø 18 mm Metal Roller Short Curved Lever Length
Adjustable With Angular Action (Snap Action)

Code No	Contact Type	Body Material	End Unit Type	End Unit Material
2146.03.8	1NO+1NC	Metal	Roller	Metal

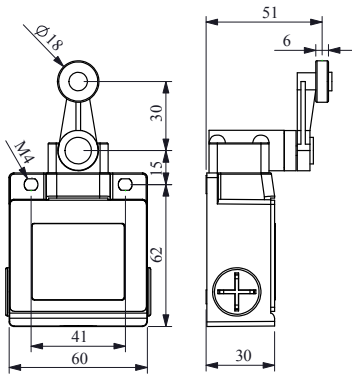


LIMIT SWITCHES METAL BODY IP65



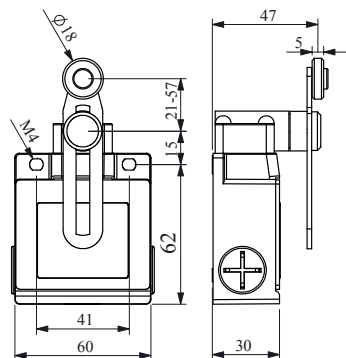
Rotary \varnothing 18 mm Metal Roller Short Curved Lever Length With Angular Action (Snap Action)

Code No	Contact Type	Body Material	End Unit Type	End Unit Material
2146.03.9	1NO+1NC	Metal	Roller	Metal



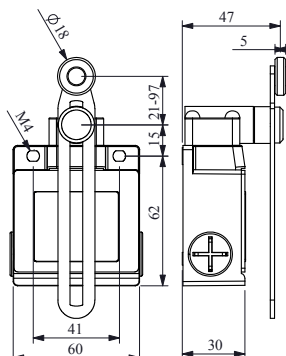
Rotary \varnothing 18 mm Plastic Roller Lever With Angular Action (Snap Action)

Code No	Contact Type	Body Material	End Unit Type	End Unit Material
2146.03.10	1NO+1NC	Metal	Roller	Plastic



Rotary \varnothing 18 mm Plastic Roller Short Lever Length Adjustable With Angular Action (Snap Action)

Code No	Contact Type	Body Material	End Unit Type	End Unit Material
2146.03.11	1NO+1NC	Metal	Roller	Plastic



Rotary \varnothing 18 mm Plastic Roller Long Lever Length Adjustable With Angular Action (Snap Action)

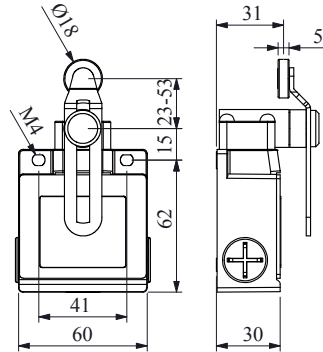
Code No	Contact Type	Body Material	End Unit Type	End Unit Material
2146.03.12	1NO+1NC	Metal	Roller	Plastic

LIMIT SWITCHES METAL BODY IP65

RSM

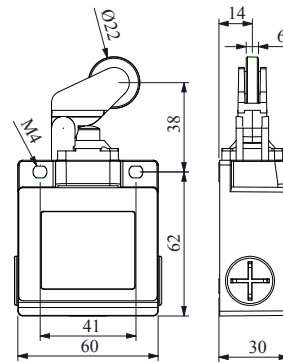
Rotary \varnothing 18 mm Plastic Roller Short Curved Lever Length Adjustable With Angular Action (Snap Action)

Code No	Contact Type	Body Material	End Unit Type	End Unit Material
2146.03.13	1NO+1NC	Metal	Roller	Plastic



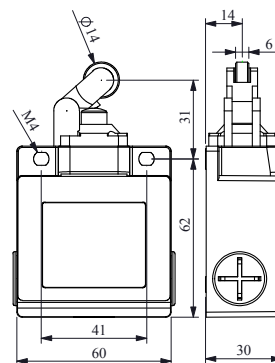
\varnothing 22 mm Metal Roller
Lever With Angular Action (Snap Action)

Code No	Contact Type	Body Material	End Unit Type	End Unit Material
2146.03.15	1NO+1NC	Metal	Roller	Metal



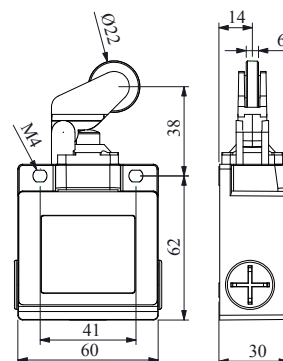
\varnothing 14 mm Metal Roller
Lever With Angular Action (Snap Action)

Code No	Contact Type	Body Material	End Unit Type	End Unit Material
2146.03.16	1NO+1NC	Metal	Roller	Metal

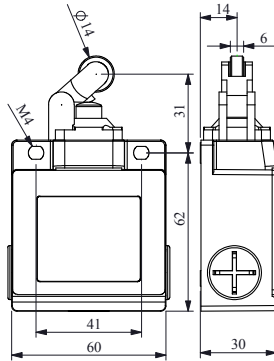


\varnothing 22 mm Plastic Roller
Lever With Angular Action (Snap Action)

Code No	Contact Type	Body Material	End Unit Type	End Unit Material
2146.03.18	1NO+1NC	Metal	Roller	Plastic

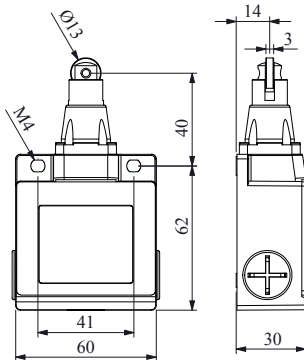


LIMIT SWITCHES METAL BODY IP65



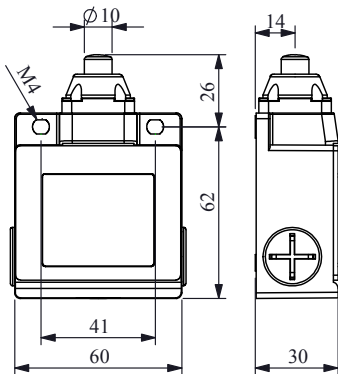
Ø 14 mm Plastic Roller
Lever With Angular Action (Snap Action)

Code No	Contact Type	Body Material	End Unit Type	End Unit Material
2146.03.19	1NO+1NC	Metal	Roller	Plastic



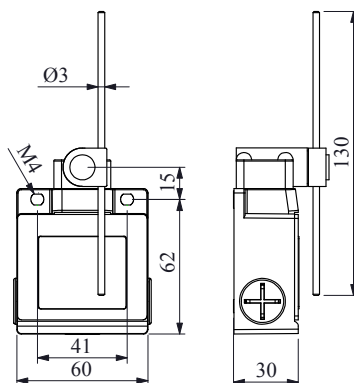
Ø 13 mm Plastic Roller
Lever With Angular Action (Snap Action)

Code No	Contact Type	Body Material	End Unit Type	End Unit Material
2146.03.20	1NO+1NC	Metal	Roller	Metal



Plunger With Linear Action
(Snap Action)

Code No	Contact Type	Body Material	End Unit Type	End Unit Material
2146.03.21	1NO+1NC	Metal	Pim	Metal



130 mm Fiber Lever Length
Adjustable With Angular Action (Snap Action)

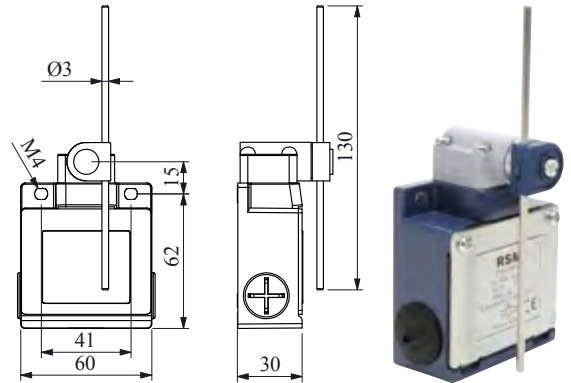
Code No	Contact Type	Body Material	End Unit Type	End Unit Material
2146.03.22	1NO+1NC	Metal	Rigid Rod	Fiber

LIMIT SWITCHES METAL BODY IP65

RSM

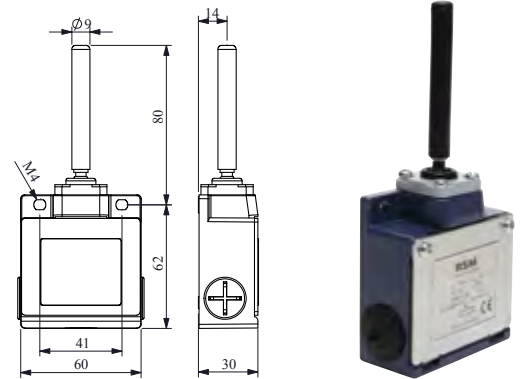
130 mm Metal Lever Length
Adjustable With Angular Action (Snap Action)

Code No	Contact Type	Body Material	End Unit Type	End Unit Material
2146.03.23	1NO+1NC	Metal	Rigid Rod	Metal



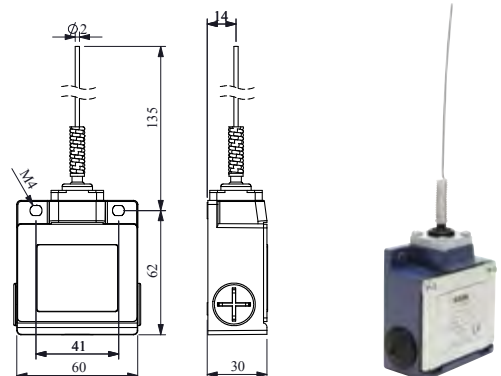
Plastic Rigid Rod With Angular
Action Multidirectional (Snap Action)

Code No	Contact Type	Body Material	End Unit Type	End Unit Material
2146.03.24	1NO+1NC	Metal	Rigid Rod	Plastic



Spiral Lever With Angular
Action Multidirectional (Snap Action)

Code No	Contact Type	Body Material	End Unit Type	End Unit Material
2146.03.25	1NO+1NC	Metal	Spiral Wire	Metal



Spiral Metal Lever With Angular
Action Multidirectional (Snap Action)

Code No	Contact Type	Body Material	End Unit Type	End Unit Material
2146.03.26	1NO+1NC	Metal	Spiral Lever	Metal

