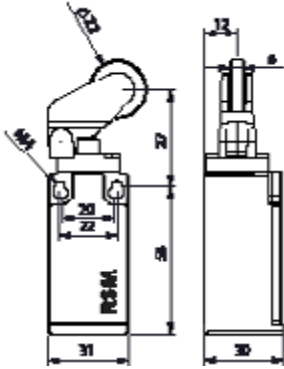
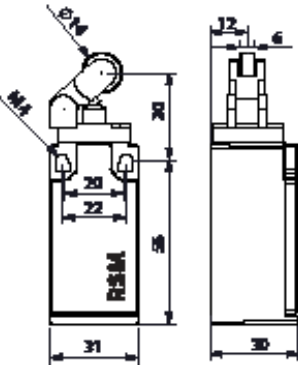


**LIMIT SWITCHES  
PLASTIC BODY IP65**



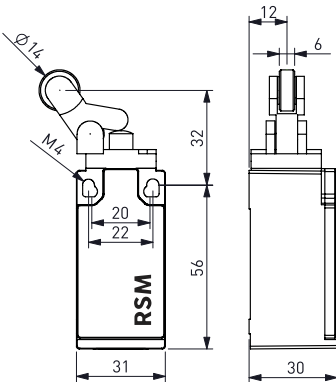
Ø 22 mm Metal Roller Lever  
With Angular Action (Snap Action)

Code No	Contact Type	Body Material	End Unit Type	End Unit Material
2146.01.24	1NO+1NC	Plastic	Roller	Metal



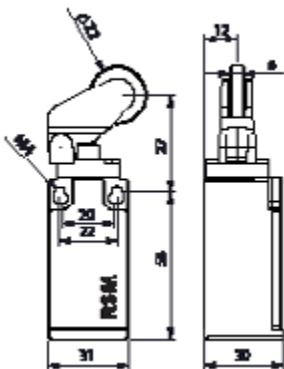
Ø 14 mm Plastic Roller Lever  
With Angular Action (Snap Action)

Code No	Contact Type	Body Material	End Unit Type	End Unit Material
2146.01.25	1NO+1NC	Plastic	Roller	Metal



Rotary Ø 14 mm Plastic Roller  
Lever With Reverse Angular Action (Snap Action)

Code No	Contact Type	Body Material	End Unit Type	End Unit Material
2146.01.27	1NO+1NC	Plastic	Roller	Metal



Ø 22 mm Plastic Roller Lever  
With Angular Action (Snap Action)

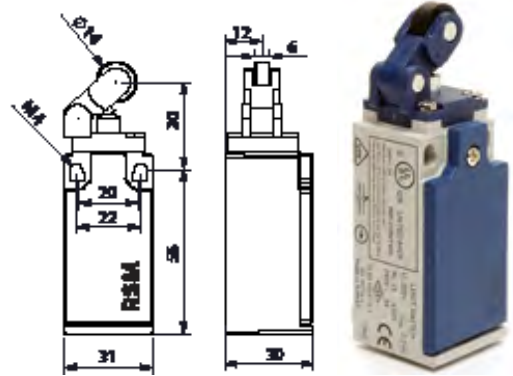
Code No	Contact Type	Body Material	End Unit Type	End Unit Material
2146.01.29	1NO+1NC	Plastic	Roller	Plastic

## LIMIT SWITCHES PLASTIC BODY IP65

**RSM**

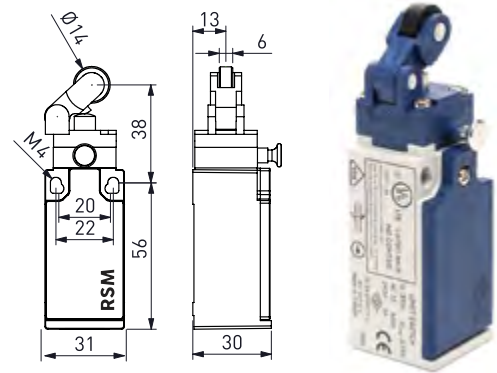
Ø 14 mm Plastic Roller Lever  
With Angular Action (Snap Action)

Code No	Contact Type	Body Material	End Unit Type	End Unit Material
2146.01.30	1NO+1NC	Plastic	Roller	Plastic



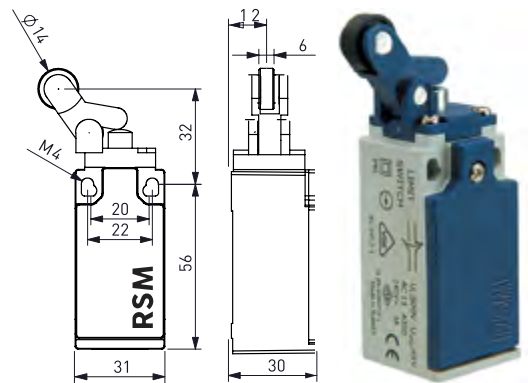
Ø 14 mm Plastic Roller Lever  
With Angular Action and With Reset Function (Snap Action)

Code No	Contact Type	Body Material	End Unit Type	End Unit Material
2146.01.31	1NO+1NC	Plastic	Roller	Plastic



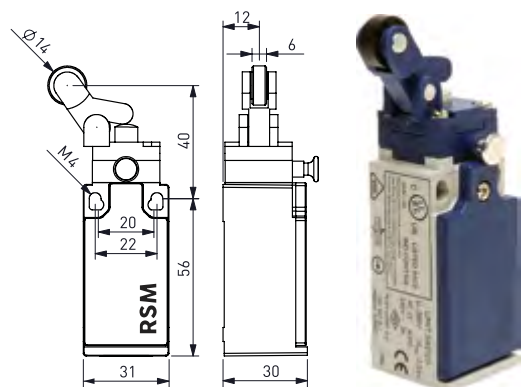
Rotary Ø 14 mm Metal Roller  
Lever With Reverse Angular Action (Snap Action)

Code No	Contact Type	Body Material	End Unit Type	End Unit Material
2146.01.32	1NO+1NC	Plastic	Roller	Plastic

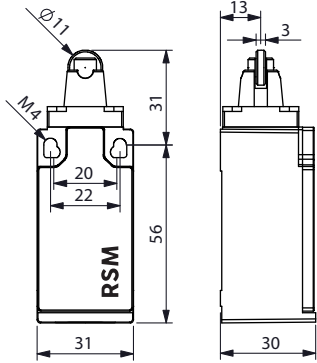


Rotary Ø 14 mm Metal Roller Lever With Reverse Angular Action  
and With Reset Function (Snap Action)

Code No	Contact Type	Body Material	End Unit Type	End Unit Material
2146.01.33	1NO+1NC	Plastic	Roller	Plastic

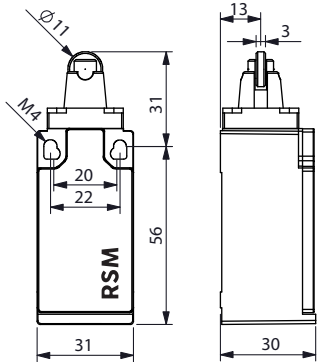


## LIMIT SWITCHES PLASTIC BODY IP65



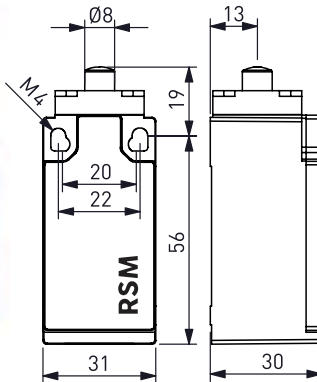
Ø 11 mm Metal Roller  
Plunger With Linear Action (Snap Action)

Code No	Contact Type	Body Material	End Unit Type	End Unit Material
2146.01.34	1NO+1NC	Plastic	Roller	Metal



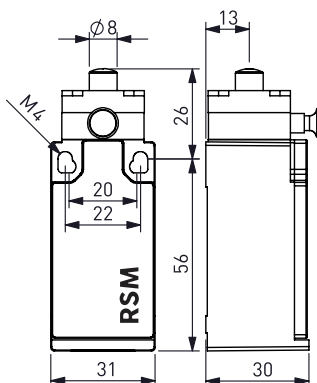
Ø 11 mm Metal Roller Plunger With Linear Action  
and With Reset Function (Snap Action)

Code No	Contact Type	Body Material	End Unit Type	End Unit Material
2146.01.35	1NO+1NC	Plastic	Roller	Metal



Metal Plunger With  
Linear Action (Snap Action)

Code No	Contact Type	Body Material	End Unit Type	End Unit Material
2146.01.38	1NO+1NC	Plastic	Pim	Metal



Metal Plunger With  
Linear Action and With Reset Function (Snap Action)

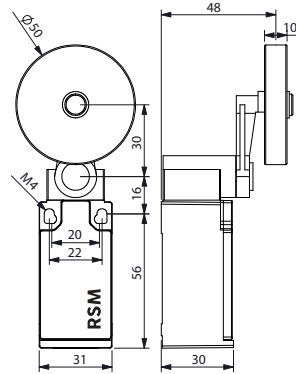
Code No	Contact Type	Body Material	End Unit Type	End Unit Material
2146.01.39	1NO+1NC	Plastic	Pim	Metal

## LIMIT SWITCHES PLASTIC BODY IP65

**RSM**

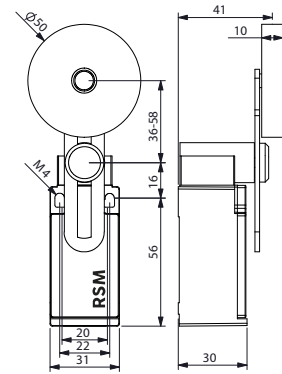
Rotary Ø 50 mm Rubber Roller  
Lever With Angular Action (Snap Action)

Code No	Contact Type	Body Material	End Unit Type	End Unit Material
2146.01.5	1NO+1NC	Plastic	Roller	Rubber



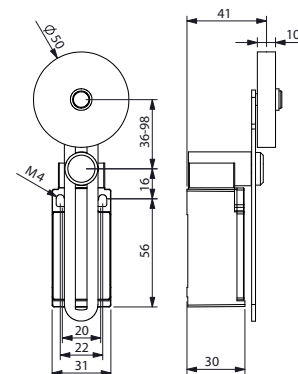
Rotary Ø 50 mm Rubber Roller Short Lever Length  
Adjustable With Angular Action (Snap Action)

Code No	Contact Type	Body Material	End Unit Type	End Unit Material
2146.01.7	1NO+1NC	Plastic	Roller	Rubber



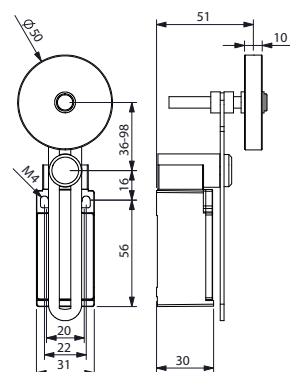
Rotary Ø 50 mm Rubber Roller Long Lever Length  
Adjustable With Angular Action (Snap Action)

Code No	Contact Type	Body Material	End Unit Type	End Unit Material
2146.01.9	1NO+1NC	Plastic	Roller	Rubber

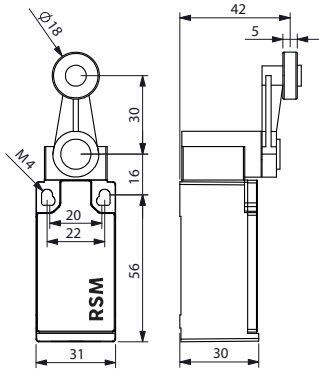


Rotary Ø 50 mm Rubber Roller Long Lever Length and Height  
Adjustable With Angular Action (Snap Action)

Code No	Contact Type	Body Material	End Unit Type	End Unit Material
2146.01.10	1NO+1NC	Plastic	Roller	Rubber

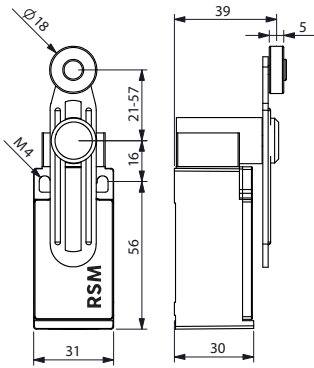


**LIMIT SWITCHES  
PLASTIC BODY IP65**



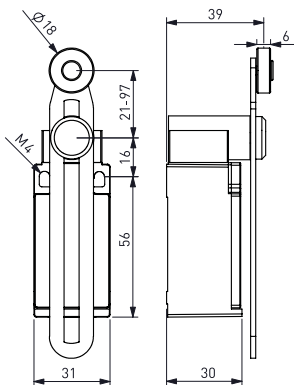
Rotary Ø 18 mm Metal Roller  
Lever With Angular Action (Snap Action)

Code No	Contact Type	Body Material	End Unit Type	End Unit Material
2146.01.14	1NO+1NC	Plastic	Roller	Metal



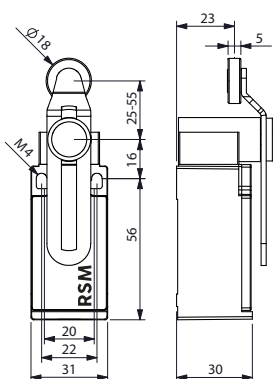
Rotary Ø 18 mm Metal Roller Short Lever Length Adjustable  
With Angular Action (Snap Action)

Code No	Contact Type	Body Material	End Unit Type	End Unit Material
2146.01.15	1NO+1NC	Plastic	Roller	Metal



Rotary Ø 18 mm Metal Roller Long Lever Length Adjustable  
With Angular Action (Snap Action)

Code No	Contact Type	Body Material	End Unit Type	End Unit Material
2146.01.16	1NO+1NC	Plastic	Roller	Metal



Rotary Ø 18 mm Metal Roller Short Curved Lever Length  
Adjustable With Angular Action (Snap Action)

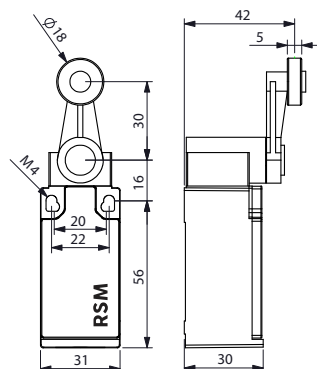
Code No	Contact Type	Body Material	End Unit Type	End Unit Material
2146.01.17	1NO+1NC	Plastic	Roller	Metal

# LIMIT SWITCHES PLASTIC BODY IP65

RSM

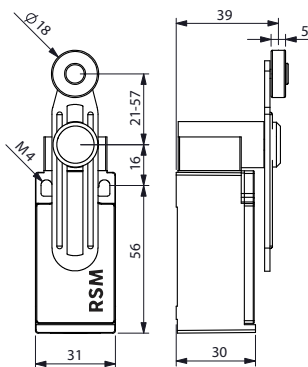
Rotary Ø 18 mm Plastic Roller  
Lever With Angular Action (Snap Action)

Code No	Contact Type	Body Material	End Unit Type	End Unit Material
2146.01.19	1NO+1NC	Plastic	Roller	Plastic



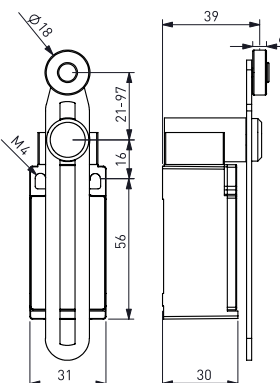
Rotary Ø 18 mm Plastic Roller Short Lever Length Adjustable  
With Angular Action (Snap Action)

Code No	Contact Type	Body Material	End Unit Type	End Unit Material
2146.01.20	1NO+1NC	Plastic	Roller	Plastic



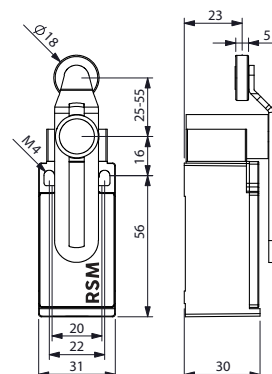
Rotary Ø 18 mm Plastic Roller Long Lever Length Adjustable  
With Angular Action (Snap Action)

Code No	Contact Type	Body Material	End Unit Type	End Unit Material
2146.01.22	1NO+1NC	Plastic	Roller	Plastic

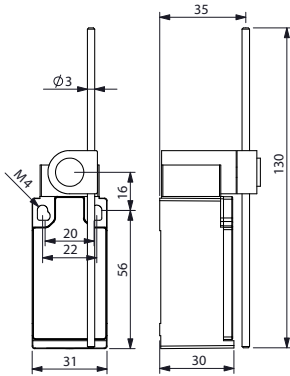


Rotary Ø 18 mm Plastic Roller Short Curved Lever Length  
Adjustable With Angular Action (Snap Action)

Code No	Contact Type	Body Material	End Unit Type	End Unit Material
2146.01.23	1NO+1NC	Plastic	Roller	Plastic

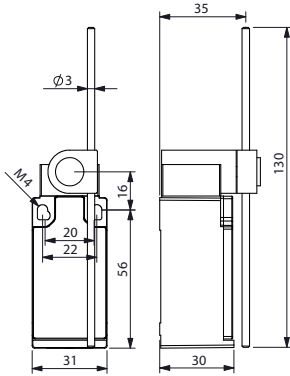


## LIMIT SWITCHES PLASTIC BODY IP65



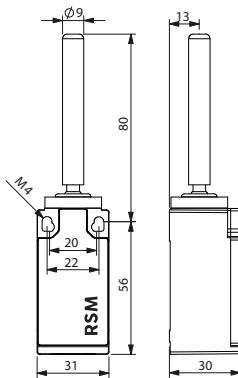
130 mm Fiber Lever Length Adjustable  
With Angular Action (Snap Action)

Code No	Contact Type	Body Material	End Unit Type	End Unit Material
2146.01.40	1NO+1NC	Plastic	Rigid Rod	Fiber



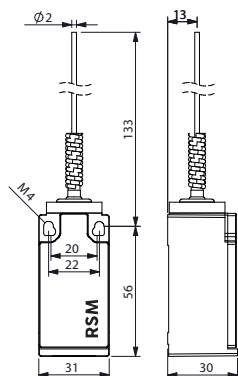
130 mm Metal Lever Length Adjustable With  
Angular Action (Snap Action)

Code No	Contact Type	Body Material	End Unit Type	End Unit Material
2146.01.41	1NO+1NC	Plastic	Rigid Rod	Metal



Plastic Rigid Rod With Angular Action  
Multidirectional (Snap Action)

Code No	Contact Type	Body Material	End Unit Type	End Unit Material
2146.01.42	1NO+1NC	Plastic	Rigid Rod	Plastic



Spiral Lever With Angular  
Action Multidirectional (Snap Action)

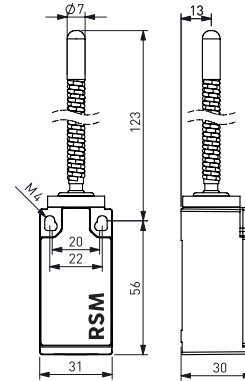
Code No	Contact Type	Body Material	End Unit Type	End Unit Material
2146.01.43	1NO+1NC	Plastic	Spiral Wire	Metal

## LIMIT SWITCHES PLASTIC BODY IP65

**RSM**

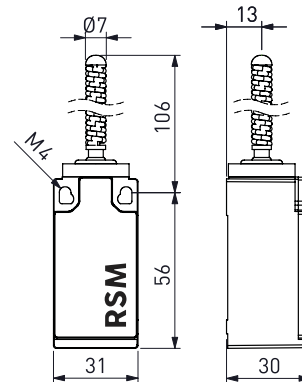
### Spiral Metal Lever With Angular Action Multidirectional (Snap Action)

Code No	Contact Type	Body Material	End Unit Type	End Unit Material
2146.01.44	1NO+1NC	Plastic	Spiral Lever	Metal



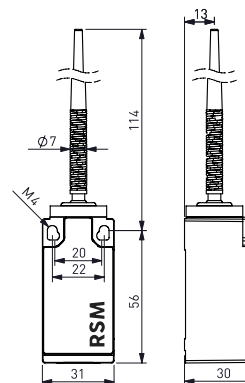
### Spiral Guide With Metal Tip With Angular Action Multidirectional (Snap Action)

Code No	Contact Type	Body Material	End Unit Type	End Unit Material
2146.01.45	1NO+1NC	Plastic	Spiral Lever	Metal



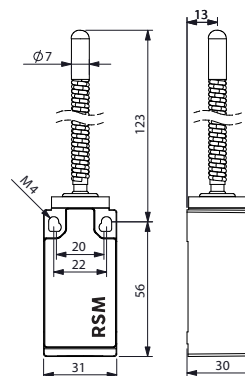
### Plastic and Spiral Lever With Angular Action Multidirectional (Snap Action)

Code No	Contact Type	Body Material	End Unit Type	End Unit Material
2146.01.46	1NO+1NC	Plastic	Spiral Lever	Plastic - Metal



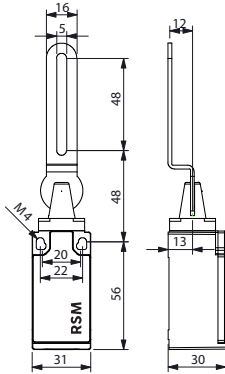
### Spiral Guide With Plastic Tip With Angular Action Multidirectional (Snap Action)

Code No	Contact Type	Body Material	End Unit Type	End Unit Material
2146.01.47	1NO+1NC	Plastic	Spiral Lever	Plastic



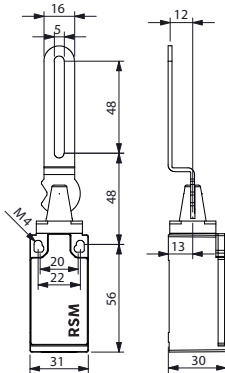


## LIMIT SWITCHES PLASTIC BODY IP65



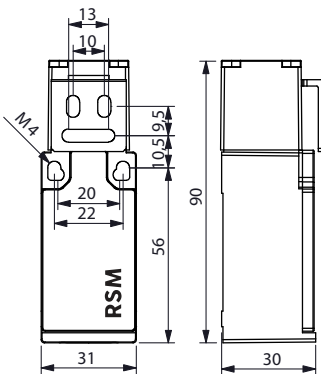
Metal Curved Lever  
With Hinge Action Double (Snap Action)

Code No	Contact Type	Body Material	End Unit Type	End Unit Material
2146.01.2	1NO+1NC	Plastic	Hinge	Metal



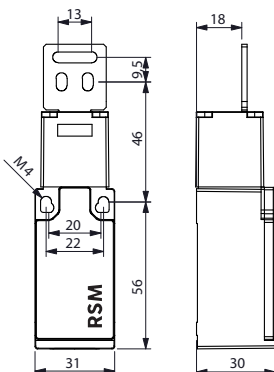
Metal Curved Lever  
With Hinge Action Left (Snap Action)

Code No	Contact Type	Body Material	End Unit Type	End Unit Material
2146.01.1	1NO+1NC	Plastic	Hinge	Metal



Emergency Limit Switches  
With Metal Curved Key (Snap Action)

Code No	Contact Type	Body Material	End Unit Type	End Unit Material
2146.01.3	1NO+1NC	Plastic	Key	Metal



Emergency Limit Switches  
With Metal Key (Snap Action)

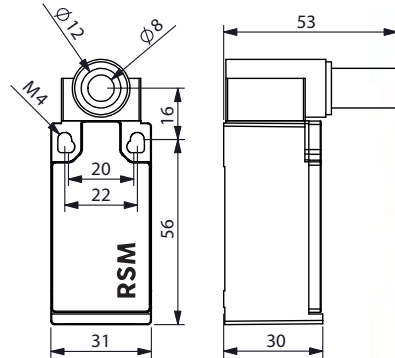
Code No	Contact Type	Body Material	End Unit Type	End Unit Material
2146.01.4	1NO+1NC	Plastic	Key	Metal

# LIMIT SWITCHES PLASTIC BODY IP65

**RSM**

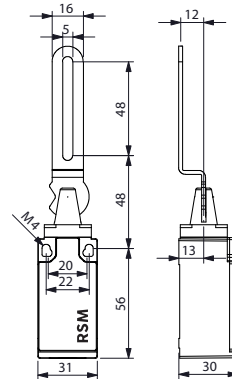
## Metal Lever With Hinge Action (Slow Action)

Code No	Contact Type	Body Material	End Unit Type	End Unit Material
2146.02.1	1NO+1NC	Plastic	Rotational Tube	Metal



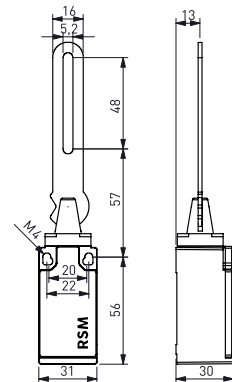
## Metal Curved Lever With Hinge Action Left (Slow Action)

Code No	Contact Type	Body Material	End Unit Type	End Unit Material
2146.02.2	1NO+1NC	Plastic	Hinge	Metal



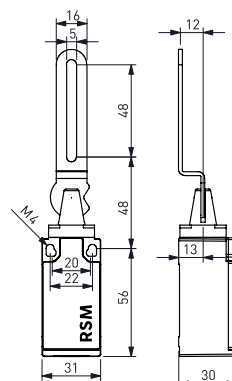
## Metal Lever With Hinge Action Left (Slow Action)

Code No	Contact Type	Body Material	End Unit Type	End Unit Material
2146.02.3	1NO+1NC	Plastic	Hinge	Metal

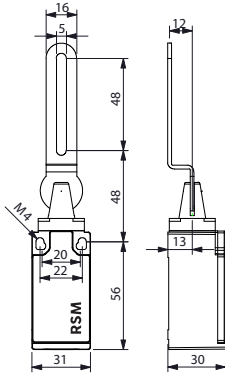


## Metal Curved Lever With Hinge Action Right (Slow Action)

Code No	Contact Type	Body Material	End Unit Type	End Unit Material
2146.02.4	1NO+1NC	Plastic	Hinge	Metal

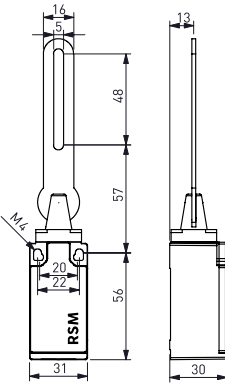


## LIMIT SWITCHES PLASTIC BODY IP65



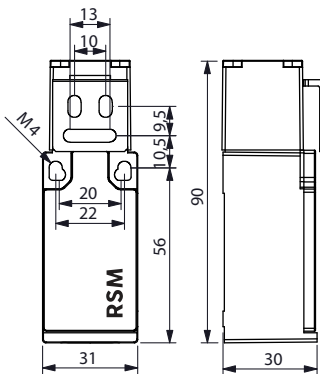
Metal Curved Lever  
With Hinge Action Double (Slow Action)

Code No	Contact Type	Body Material	End Unit Type	End Unit Material
2146.02.5	1NO+1NC	Plastic	Hinge	Metal



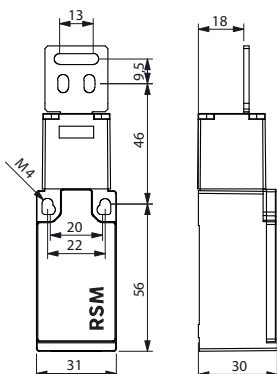
Metal Lever  
With Hinge Action Double (Slow Action)

Code No	Contact Type	Body Material	End Unit Type	End Unit Material
2146.02.6	1NO+1NC	Plastic	Hinge	Metal



Emergency Limit Switches  
With Metal Curved Key (Slow Action)

Code No	Contact Type	Body Material	End Unit Type	End Unit Material
2146.02.8	1NO+1NC	Plastic	Key	Metal



Emergency Limit Switches  
With Metal Key (Slow Action)

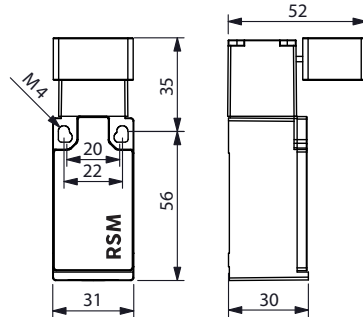
Code No	Contact Type	Body Material	End Unit Type	End Unit Material
2146.02.9	1NO+1NC	Plastic	Key	Metal

## LIMIT SWITCHES PLASTIC BODY IP65

**RSM**

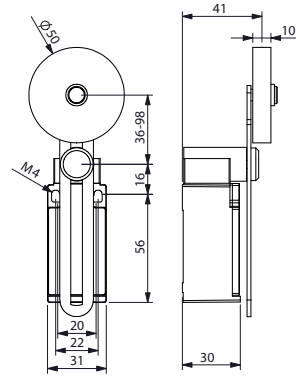
### Emergency Limit Switches Movable (Slow Action)

Code No	Contact Type	Body Material	End Unit Type	End Unit Material
2146.02.10	1NO+1NC	Plastic	Key	Metal



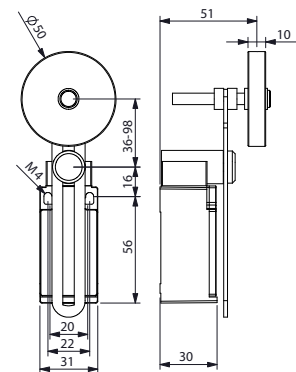
### Rotary Ø 50 mm Rubber Roller Long Lever Length Adjustable With Angular Action (Slow Action)

Code No	Contact Type	Body Material	End Unit Type	End Unit Material
2146.02.12	1NO+1NC	Plastic	Roller	Rubber



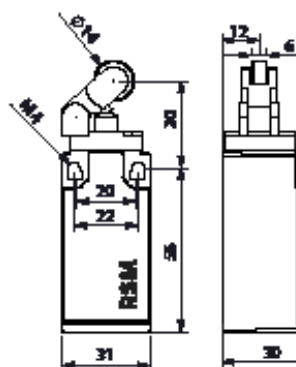
### Rotary Ø 50 mm Rubber Roller Long Lever Length and Height Adjustable With Angular Action (Slow Action)

Code No	Contact Type	Body Material	End Unit Type	End Unit Material
2146.02.13	1NO+1NC	Plastic	Roller	Rubber

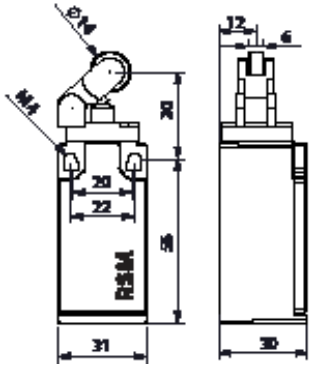


### Ø 14 mm Metal Roller Lever With Angular Action (Slow Action)

Code No	Contact Type	Body Material	End Unit Type	End Unit Material
2146.02.14	1NO+1NC	Plastic	Roller	Metal

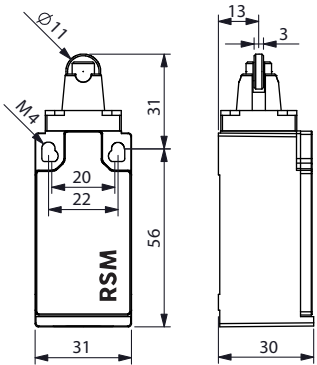


## LIMIT SWITCHES PLASTIC BODY IP65



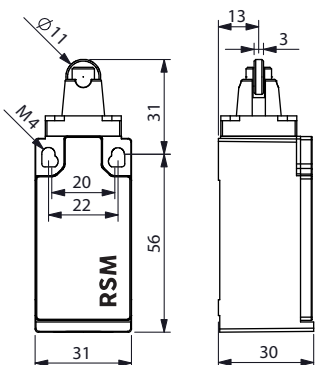
Ø 14 mm Plastic Roller Lever  
With Angular Action (Slow Action)

Code No	Contact Type	Body Material	End Unit Type	End Unit Material
2146.02.16	1NO+1NC	Plastic	Roller	Plastic



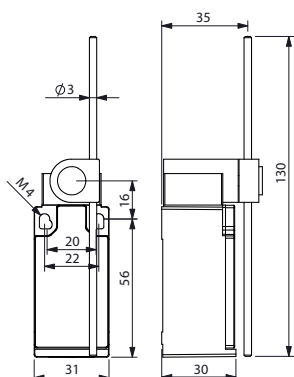
Ø 11 mm Metal Roller  
Plunger With Linear Action (Slow Action)

Code No	Contact Type	Body Material	End Unit Type	End Unit Material
2146.02.17	1NO+1NC	Plastic	Roller	Metal



Ø 11 mm Metal Roller Plunger With Linear Action and  
With Reset Function (Slow Action)

Code No	Contact Type	Body Material	End Unit Type	End Unit Material
2146.02.18	1NO+1NC	Plastic	Roller	Metal



130 mm Fiber Lever Length Adjustable  
With Angular Action (Slow Action)

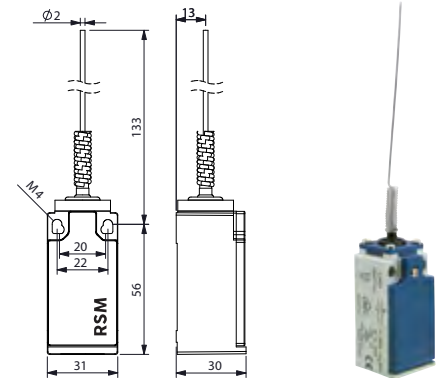
Code No	Contact Type	Body Material	End Unit Type	End Unit Material
2146.02.21	1NO+1NC	Plastic	Rigid Rod	Fiber

## LIMIT SWITCHES PLASTIC BODY IP65

**RSM**

Spiral Lever With Angular Action  
Multidirectional (Slow Action)

Code No	Contact Type	Body Material	End Unit Type	End Unit Material
2146.02.22	1NO+1NC	Plastic	Spiral Wire	Metal



### General Features

- Prismatic plastic housing and cover
- Double insulated
- PG13,5 or M20x1,5 cable entry
- Changeable contact blocks
- 1 cable entry
- External connection holes
- Various product range with wide sensitive contact block alternatives for all kind of applications

### Technical Features

Mechanical Life	: 10.000.000 operations min. (50 cyc/min)
Electrical Life	: 1.000.000 operations min. (20 cyc/min)
Operating Temperature	: -5 / +40 °C
Protection Degree	: IP65
Operating Voltage (Ue)	: 240V
Operating Current (Ie)	: 3 A
Insulation Voltage (Ui)	: 300V
Impact Resistance (Uimp)	: 2,5 kV
Short Circuit Breaking Capacity (Icn)	: 1 kA
Operating Frequency (f)	: 50 - 60 Hz
Insulation Resistance	: 10 MΩ (500V DC)
Utilization Category	: AC15
Dielectric Strength	: 1.500V (for 1 minute)
Pollution Degree	: 3
Cable Section	: 1,5 mm <sup>2</sup>
Standard	: "Positive break operation, safety function according to TS EN 60947-5-1 TS EN 60947-5-1 UL508 VDE 0660"