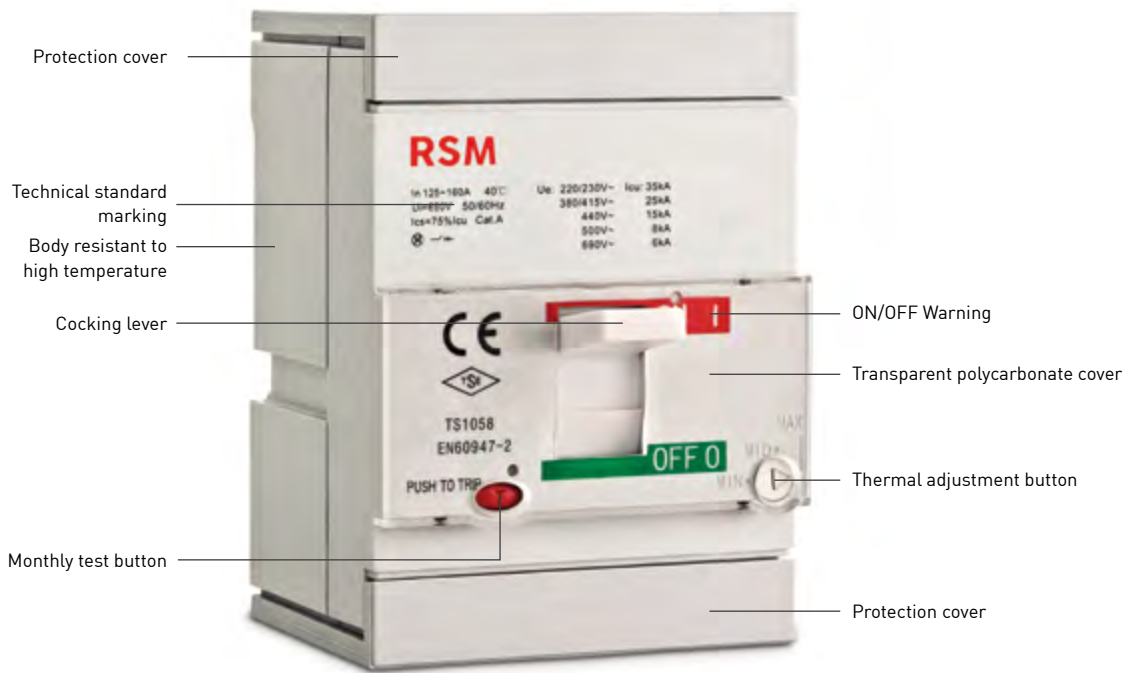


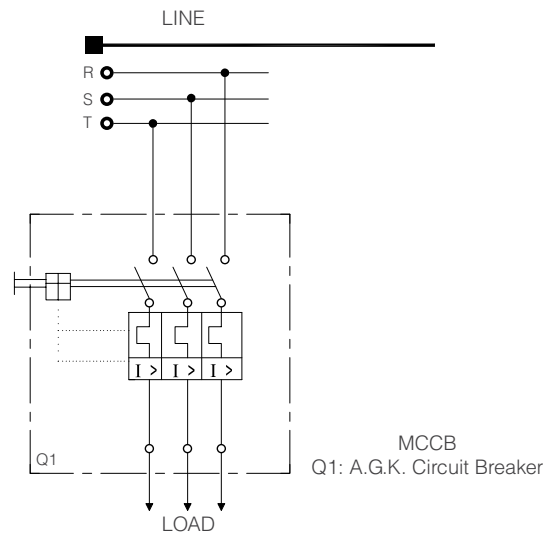


MOULDED CASE CIRCUIT BREAKERS (MCCBs)

Product Specifications



Wiring Diagrams

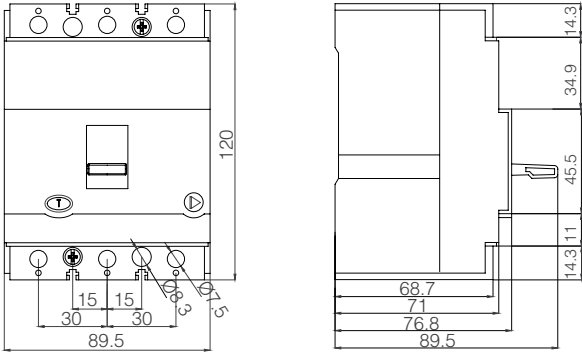


MOULDED CASE CIRCUIT BREAKERS (MCCBs)

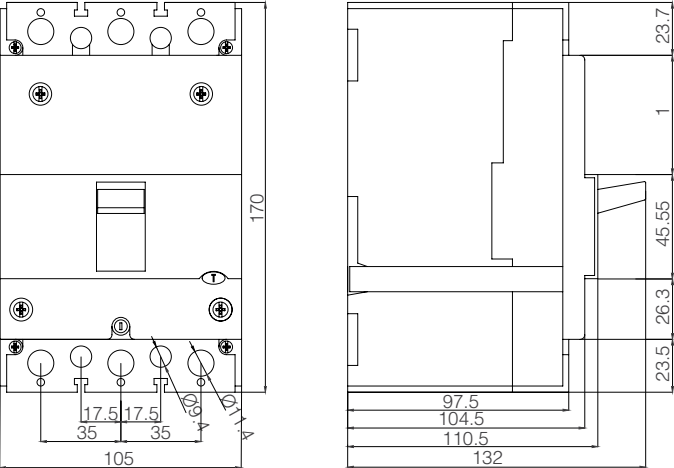


Technical Drawings

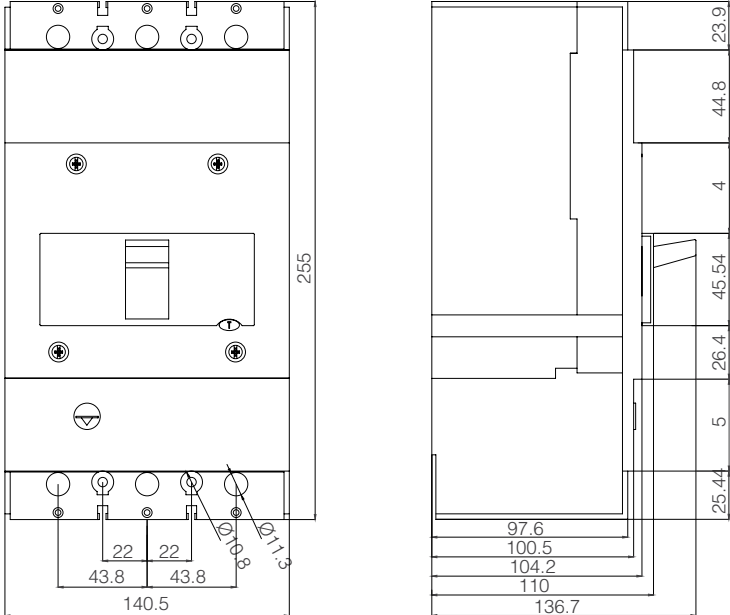
160 A Moulded Case Circuit Breakers (MCCB)



250 A Moulded Case Circuit Breakers (MCCB)

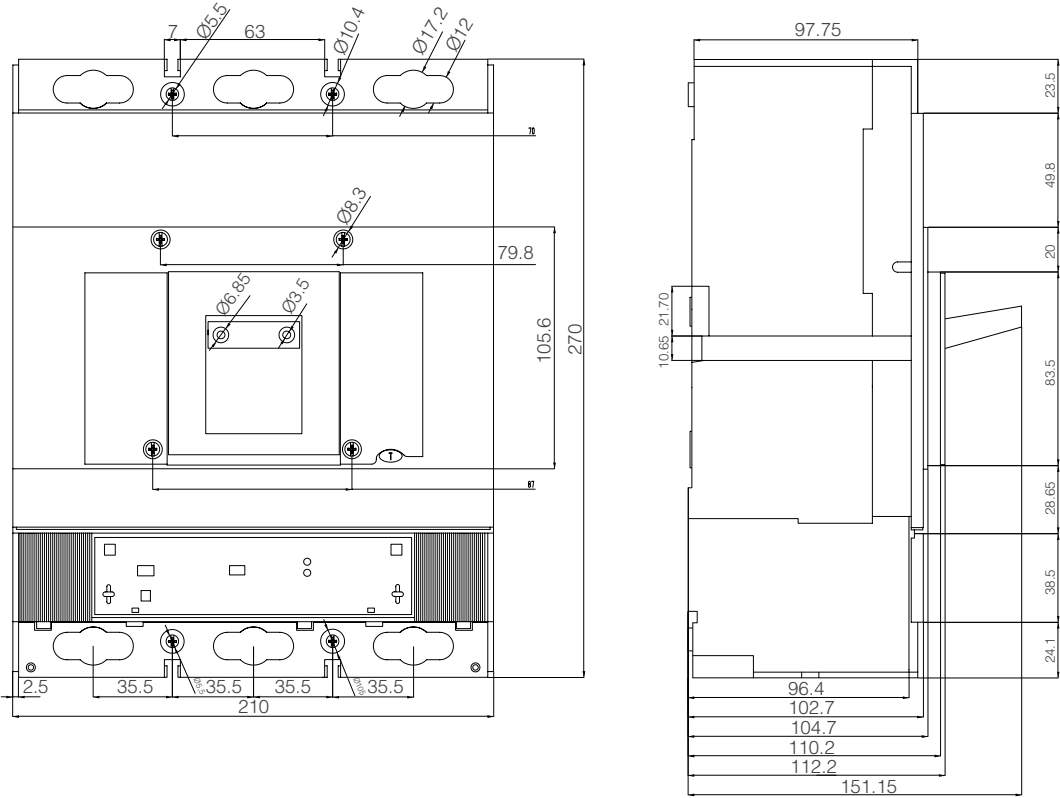


400 A Moulded Case Circuit Breakers (MCCB)



Technical Drawings

500 A, 630 A, 800 A Moulded Case Circuit Breakers (MCCB)



.....

MOULDED CASE CIRCUIT BREAKERS (MCCBs)

RSM

MCCB Thermal Magnetic Fixed

| Product Name | Code No | Thermal setting current I _r (A) | Breaking capacity I _{cu} (kA) | Rated Current I _n (A) | Pcs In Box | Pcs In Package |
|---------------------|------------|--------------------------------------------|----------------------------------------|----------------------------------|------------|----------------|
| 3 Pole, 380 V AC | 1242.03.1 | Fix | 25 | 25 | 1 | 10 |
| | 1242.03.2 | Fix | 25 | 32 | 1 | 10 |
| | 1242.03.3 | Fix | 25 | 40 | 1 | 10 |
| | 1242.03.4 | Fix | 25 | 50 | 1 | 10 |
| | 1242.03.5 | Fix | 25 | 63 | 1 | 10 |
| | 1242.03.6 | Fix | 25 | 80 | 1 | 10 |
| | 1242.03.7 | Fix | 25 | 100 | 1 | 10 |
| | 1242.03.8 | Fix | 25 | 125 | 1 | 10 |
| | 1242.03.9 | Fix | 25 | 160 | 1 | 10 |
| | 1242.03.10 | Fix | 35 | 200 | 1 | 6 |
| | 1242.03.11 | Fix | 35 | 225 | 1 | 6 |
| | 1242.03.12 | Fix | 35 | 250 | 1 | 6 |
| | 1242.03.13 | Fix | 35 | 315 | 1 | 4 |
| | 1242.03.14 | Fix | 35 | 400 | 1 | 4 |
| | 1242.03.15 | Fix | 50 | 500 | 1 | 2 |
| | 1242.03.16 | Fix | 50 | 630 | 1 | 2 |
| | 1242.03.17 | Fix | 65 | 800 | 1 | 2 |

MCCB Thermal Adjustable

| Product Name | Code No | Thermal setting current I _r (A) | Breaking capacity I _{cu} (kA) | Rated Current I _n (A) | Pcs In Box | Pcs In Package |
|---------------------|------------|--------------------------------------------|----------------------------------------|----------------------------------|------------|----------------|
| 3 Pole, 380 V AC | 1242.04.1 | 20-25 | 25 | 25 | 1 | 10 |
| | 1242.04.2 | 25-32 | 25 | 32 | 1 | 10 |
| | 1242.04.3 | 32-40 | 25 | 40 | 1 | 10 |
| | 1242.04.4 | 40-50 | 25 | 50 | 1 | 10 |
| | 1242.04.5 | 50-63 | 25 | 63 | 1 | 10 |
| | 1242.04.6 | 63-80 | 25 | 80 | 1 | 10 |
| | 1242.04.7 | 80-100 | 25 | 100 | 1 | 10 |
| | 1242.04.8 | 100-125 | 25 | 125 | 1 | 10 |
| | 1242.04.9 | 125-160 | 25 | 160 | 1 | 10 |
| | 1242.04.10 | 160-200 | 35 | 200 | 1 | 6 |
| | 1242.04.11 | 200-250 | 35 | 225 | 1 | 6 |
| | 1242.04.12 | 250-315 | 35 | 250 | 1 | 6 |
| | 1242.04.13 | 315-400 | 35 | 315 | 1 | 4 |
| | 1242.04.14 | 160-400 | 50 | 400 | 1 | 2 |
| | 1242.04.15 | 200-500 | 50 | 500 | 1 | 2 |
| | 1242.04.16 | 250-630 | 50 | 630 | 1 | 2 |
| | 1242.04.17 | 320-800 | 65 | 800 | 1 | 2 |



400 A Moulded Case
Circuit Breakers (MCCBs)



250 A Moulded Case
Circuit Breakers (MCCBs)



160 A Moulded Case
Circuit Breakers (MCCBs)

Use Compact Switch

| Code No | Rated Current I_n (A) | Technical Spec. | Use Compact Switch | Pcs In Box | Pcs In Package |
|-----------|-------------------------|-----------------|-------------------------------------|------------|----------------|
| 1242.05.1 | 160 | 1N/A+1 N/K | 1242.03.1 - 9 / - 1242.04.1 - 9 | 1 | 120 |
| 1242.05.2 | 250 | 1N/A+1 N/K | 1242.03.10 - 12 / - 1242.04.10 - 11 | 1 | 120 |
| 1242.05.3 | 400 | 2N/A+2 N/K | 1242.03.13 - 14 / - 1242.04.12 - 13 | 1 | 120 |
| 1242.05.4 | 630 | 2N/A+2 N/K | 1242.03.15 - 16 / - 1242.04.15 - 16 | 1 | 100 |
| 1242.05.5 | 800 | 2N/A+2 N/K | 1242.04.17 | 1 | 100 |

Alarm Contacts

| Code No | Rated Current I_n (A) | Technical Spec. | Use Compact Switch | Pcs In Box | Pcs In Package |
|------------|-------------------------|-----------------|-------------------------------------|------------|----------------|
| 1242.05.6 | 160 | 1 N/A+1 N/K | 1242.03.1 - 9 / - 1242.04.1 - 9 | 1 | 120 |
| 1242.05.7 | 250 | 1 N/A+1 N/K | 1242.03.10 - 12 / - 1242.04.10 - 11 | 1 | 120 |
| 1242.05.8 | 400 | 1 N/A+1 N/K | 1242.03.13 - 14 / - 1242.04.12 - 13 | 1 | 120 |
| 1242.05.9 | 630 | 1 N/A+1 N/K | 1242.03.15 - 16 / - 1242.04.15 - 16 | 1 | 100 |
| 1242.05.10 | 800 | 1 N/A+1 N/K | 1242.04.17 | 1 | 100 |

Shunt releases

| Code No | Rated Current I_n (A) | Technical Spec. | Use Compact Switch | Pcs In Box | Pcs In Package |
|------------|-------------------------|-----------------|-------------------------------------|------------|----------------|
| 1242.05.11 | 160 | 220/380 VAC | 1242.03.1 - 9 / - 1242.04.1 - 9 | 1 | 120 |
| 1242.05.12 | 250 | 220/380 VAC | 1242.03.10 - 12 / - 1242.04.10 - 11 | 1 | 120 |
| 1242.05.13 | 400 | 220/380 VAC | 1242.03.13 - 14 / - 1242.04.12 - 13 | 1 | 120 |
| 1242.05.14 | 630 | 220/380 VAC | 1242.03.15 - 16 / - 1242.04.15 - 16 | 1 | 100 |
| 1242.05.15 | 800 | 220/380 VAC | 1242.04.17 | 1 | 100 |

Under voltage releases

| Code No | Rated Current I_n (A) | Technical Spec. | Use Compact Switch | Pcs In Box | Pcs In Package |
|------------|-------------------------|-----------------|-------------------------------------|------------|----------------|
| 1242.05.16 | 160 | 220/380 VAC | 1242.03.1 - 9 / - 1242.04.1 - 9 | 1 | 120 |
| 1242.05.17 | 250 | 220/380 VAC | 1242.03.10 - 12 / - 1242.04.10 - 11 | 1 | 120 |
| 1242.05.18 | 400 | 220/380 VAC | 1242.03.13 - 14 / - 1242.04.12 - 13 | 1 | 120 |
| 1242.05.19 | 630 | 220/380 VAC | 1242.03.15 - 16 / - 1242.04.15 - 16 | 1 | 100 |
| 1242.05.20 | 800 | 220/380 VAC | 1242.04.17 | 1 | 100 |

MOULDED CASE CIRCUIT BREAKERS (MCCBs)



Rail Installed parts

| Code No | Rated Current I_n (A) | Technical Spec. | Use Compact Switch | Pcs In Box | Pcs In Package |
|------------|-------------------------|-----------------|-------------------------------------|------------|----------------|
| 1242.05.21 | 160 | - | 1242.03.1 - 9 / - 1242.04.1 - 9 | 1 | 120 |
| 1242.05.22 | 250 | - | 1242.03.10 - 12 / - 1242.04.10 - 11 | 1 | 12 |

Extension bars

| Code No | Rated Current I_n (A) | Technical Spec. | Use Compact Switch | Pcs In Box | Pcs In Package |
|------------|-------------------------|-----------------|-------------------------------------|------------|----------------|
| 1242.05.23 | 160 | - | 1242.03.1 - 9 / - 1242.04.1 - 9 | 6 | 120 |
| 1242.05.24 | 250 | - | 1242.03.10 - 12 / - 1242.04.10 - 11 | 6 | 120 |
| 1242.05.25 | 400 | - | 1242.03.13 - 14 / - 1242.04.12 - 13 | 6 | 120 |
| 1242.05.26 | 630 | - | 1242.03.15 - 16 / - 1242.04.15 - 16 | 6 | 120 |
| 1242.05.27 | 800 | - | 1242.04.17 | 6 | 120 |

Extended rotary handle

| Code No | Rated Current I_n (A) | Technical Spec. | Use Compact Switch | Pcs In Box | Pcs In Package |
|------------|-------------------------|-----------------|-------------------------------------|------------|----------------|
| 1242.05.28 | 160 | - | 1242.03.1 - 9 / - 1242.04.1 - 9 | 1 | 12 |
| 1242.05.29 | 250 | - | 1242.03.10 - 12 / - 1242.04.10 - 11 | 1 | 12 |
| 1242.05.30 | 400 | - | 1242.03.13 - 14 / - 1242.04.12 - 13 | 1 | 8 |
| 1242.05.31 | 630 | - | 1242.03.15 - 16 / - 1242.04.15 - 16 | 1 | 8 |
| 1242.05.32 | 800 | - | 1242.04.17 | 1 | 8 |

Motor control mechanisms

| Code No | Rated Current I_n (A) | Technical Spec. | Use Compact Switch | Pcs In Box | Pcs In Package |
|------------|-------------------------|-----------------|-------------------------------------|------------|----------------|
| 1242.05.23 | 160 | - | 1242.03.1 - 9 / - 1242.04.1 - 9 | 1 | 10 |
| 1242.05.34 | 250 | - | 1242.03.10 - 12 / - 1242.04.10 - 11 | 1 | 6 |
| 1242.05.35 | 400 | - | 1242.03.13 - 14 / - 1242.04.12 - 13 | 1 | 4 |
| 1242.05.36 | 630 | - | 1242.03.15 - 16 / - 1242.04.15 - 16 | 1 | 4 |
| 1242.05.37 | 800 | - | 1242.04.17 | 1 | 4 |