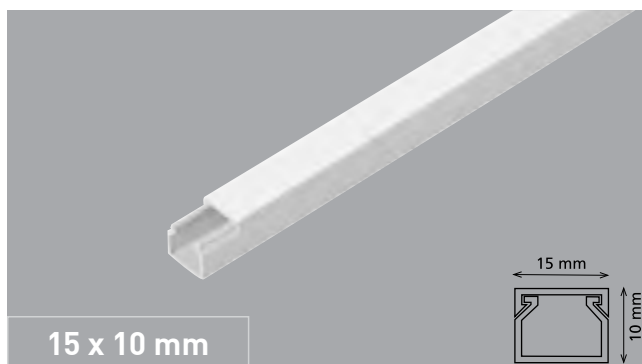


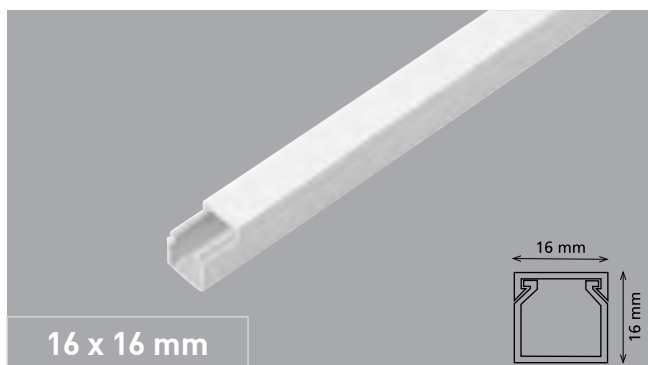
12 x 12 mm

CODE	WHITE	3141.3.01.1
LENGHT		2 m
SECTION		12 x 12 mm
PACKAGE TOTAL (m)		240 m
WEIGHT (kg)		15.90 kg
VOLUME (m³)		0.040 m ³



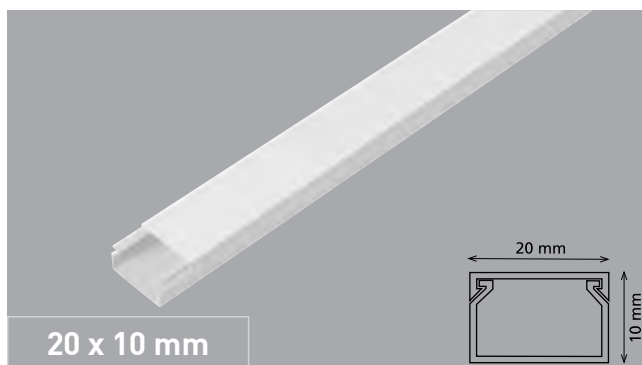
15 x 10 mm

CODE	WHITE	3141.3.01.2
LENGHT		2 m
SECTION		15 x 10 mm
PACKAGE TOTAL (m)		300 m
WEIGHT (kg)		23.50 kg
VOLUME (m³)		0.0590 m ³



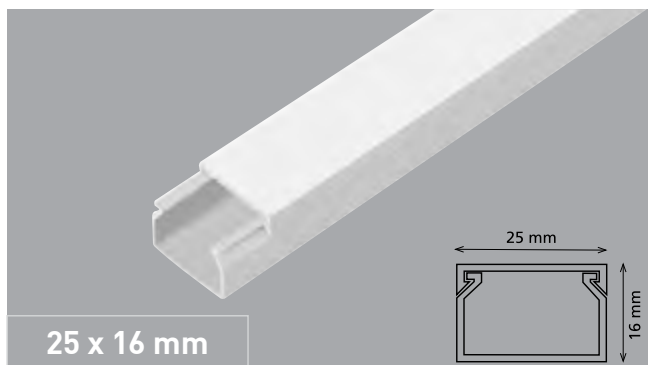
16 x 16 mm

CODE	WHITE	3141.3.01.3
LENGHT		2 m
SECTION		16 x 16 mm
PACKAGE TOTAL (m)		250 m
WEIGHT (kg)		23.50 kg
VOLUME (m³)		0.0721 m ³



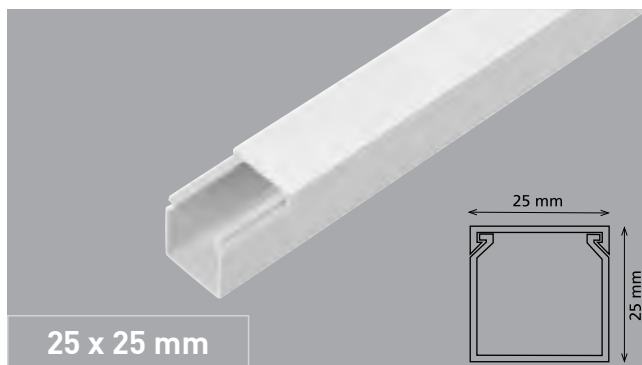
20 x 10 mm

CODE	WHITE	3141.3.01.4
LENGHT		2 m
SECTION		20 x 10 mm
PACKAGE TOTAL (m)		300 m
WEIGHT (kg)		25.30 kg
VOLUME (m³)		0.0750 m ³



25 x 16 mm

CODE	WHITE	3141.3.01.5
LENGHT		2 m
SECTION		25 x 16mm
PACKAGE TOTAL (m)		150 m
WEIGHT (kg)		19.60 kg
VOLUME (m³)		0.0750 m ³

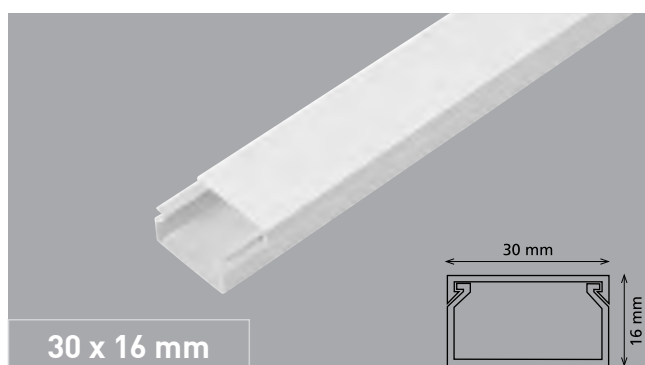


25 x 25 mm

CODE	WHITE	3141.3.01.6
LENGHT		2 m
SECTION		25 x 25 mm
PACKAGE TOTAL (m)		100 m
WEIGHT (kg)		18.60 kg
VOLUME (m³)		0.0750 m ³

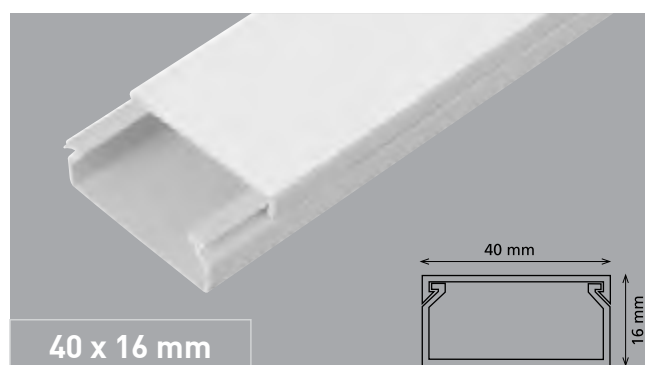
PVC CABLE TRUNKINGS

RSM



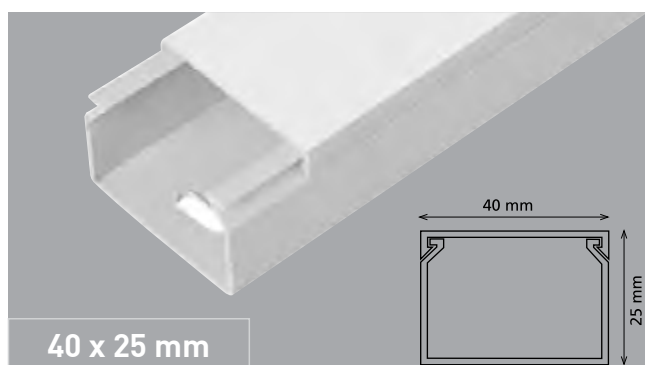
30 x 16 mm

CODE	WHITE	3141.3.01.7
LENGHT		2 m
SECTION		30 x 16 mm
PACKAGE TOTAL (m)		128 m
WEIGHT (kg)		19.80 kg
VOLUME (m³)		0.073 m ³



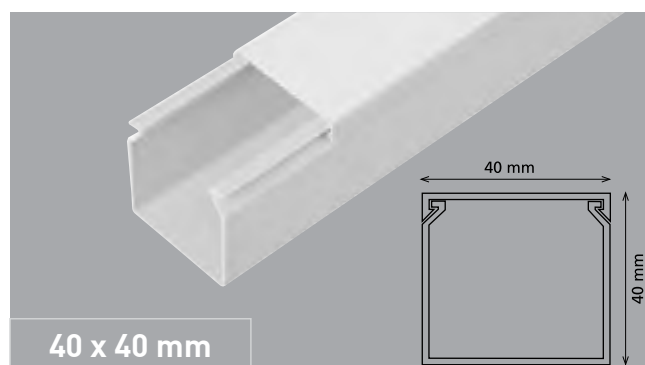
40 x 16 mm

CODE	WHITE	3141.3.01.8
LENGHT		2 m
SECTION		40 x 16 mm
PACKAGE TOTAL (m)		112 m
WEIGHT (kg)		23.50 kg
VOLUME (m³)		0.0804 m ³



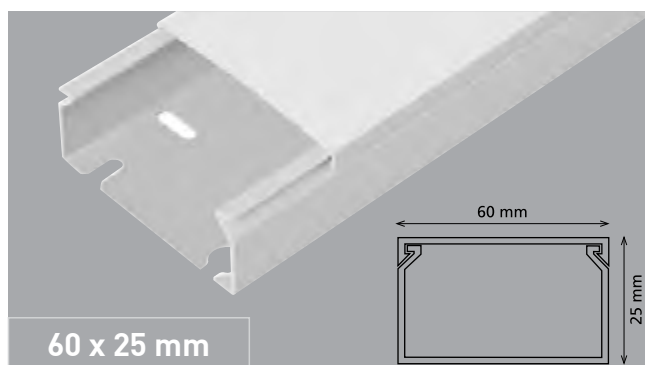
40 x 25 mm

CODE	WHITE	3141.3.01.9
LENGHT		2 m
SECTION		40 x 25 mm
PACKAGE TOTAL (m)		84 m
WEIGHT (kg)		20.90 kg
VOLUME (m³)		0.093 m ³



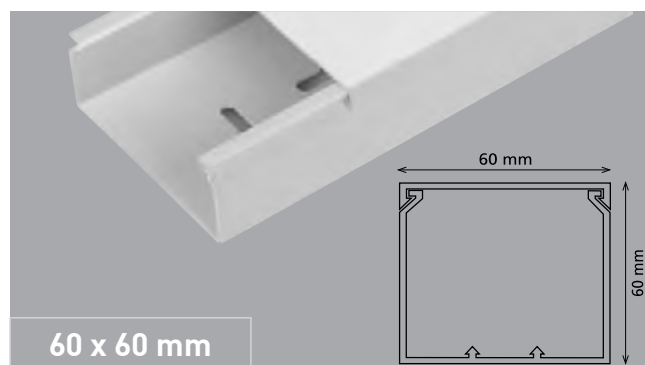
40 x 40 mm

CODE	WHITE	3141.3.01.10
LENGHT		2 m
SECTION		40 x 40 mm
PACKAGE TOTAL (m)		50 m
WEIGHT (kg)		16.85 kg
VOLUME (m³)		0.089 m ³



60 x 25 mm

CODE	WHITE	3141.3.01.11
LENGHT		2 m
SECTION		60 x 25 mm
PACKAGE TOTAL (m)		48 m
WEIGHT (kg)		15.70 kg
VOLUME (m³)		0.0808 m ³



60 x 60 mm

CODE	WHITE	3141.3.01.12
LENGHT		2 m
SECTION		60 x 60 mm
PACKAGE TOTAL (m)		32 m
WEIGHT (kg)		18.40 kg
VOLUME (m³)		0.0750 m ³