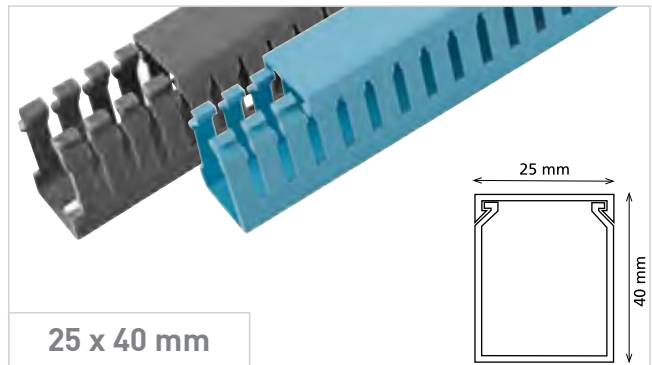


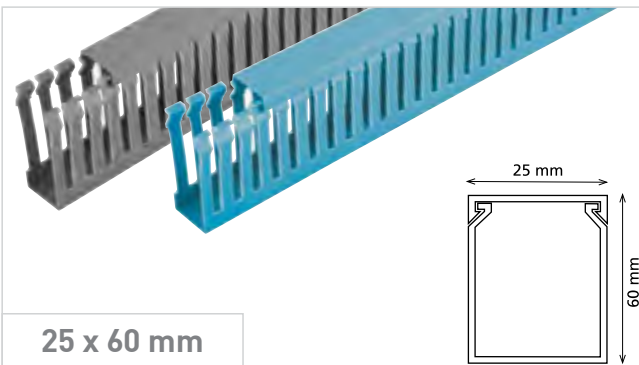
25 x 25 mm

CODE	GREY	3141.1.11.1
	BLUE	3141.2.21.1
LENGHT	2 m	
SECTION	25 x 25 mm	
PACKAGE TOTAL (m)	100 m	
WEIGHT (kg)	20.15 kg	
VOLUME (m <sup>3</sup> )	0.0735 m <sup>3</sup>	



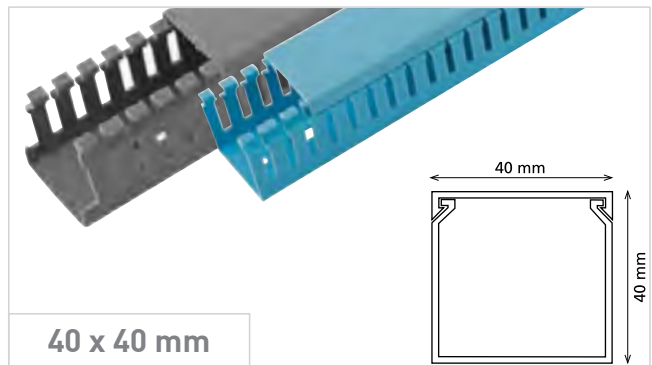
25 x 40 mm

CODE	GREY	3141.1.11.2
	BLUE	3141.2.21.2
LENGHT	2 m	
SECTION	25 x 40 mm	
PACKAGE TOTAL (m)	80 m	
WEIGHT (kg)	20.20 kg	
VOLUME (m <sup>3</sup> )	0.089 m <sup>3</sup>	



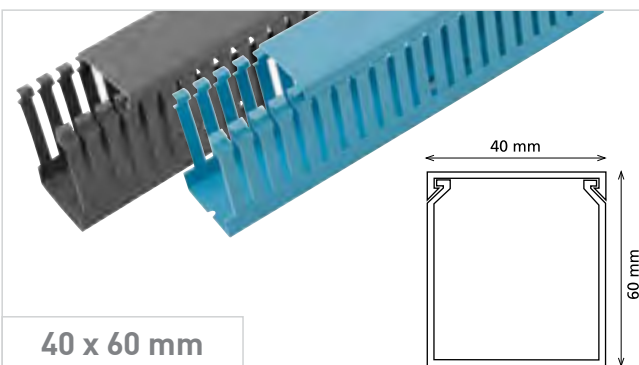
25 x 60 mm

CODE	GREY	3141.1.11.3
	BLUE	3141.2.21.3
LENGHT	2 m	
SECTION	25 x 60 mm	
PACKAGE TOTAL (m)	72 m	
WEIGHT (kg)	25.50 kg	
VOLUME (m <sup>3</sup> )	0.119 m <sup>3</sup>	



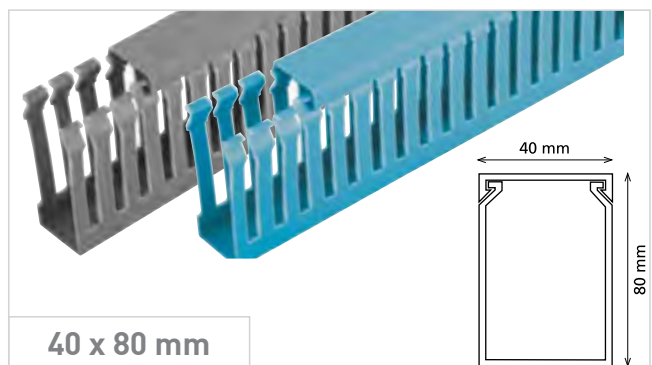
40 x 40 mm

CODE	GREY	3141.1.11.4
	BLUE	3141.2.21.4
LENGHT	2 m	
SECTION	40 x 40 mm	
PACKAGE TOTAL (m)	72 m	
WEIGHT (kg)	25.20 kg	
VOLUME (m <sup>3</sup> )	0.126 m <sup>3</sup>	



40 x 60 mm

CODE	GREY	3141.1.11.5
	BLUE	3141.2.21.5
LENGHT	2 m	
SECTION	40 x 60 mm	
PACKAGE TOTAL (m)	48 m	
WEIGHT (kg)	23.10 kg	
VOLUME (m <sup>3</sup> )	0.126 m <sup>3</sup>	

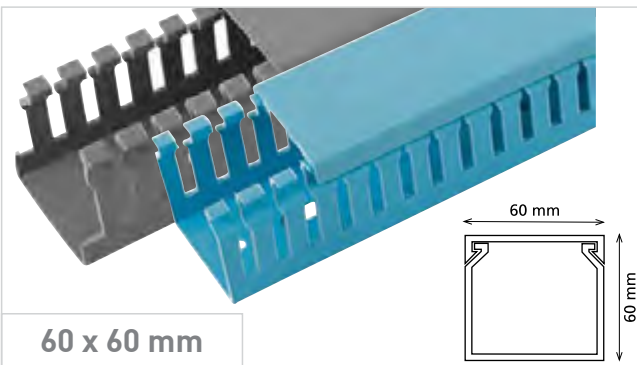
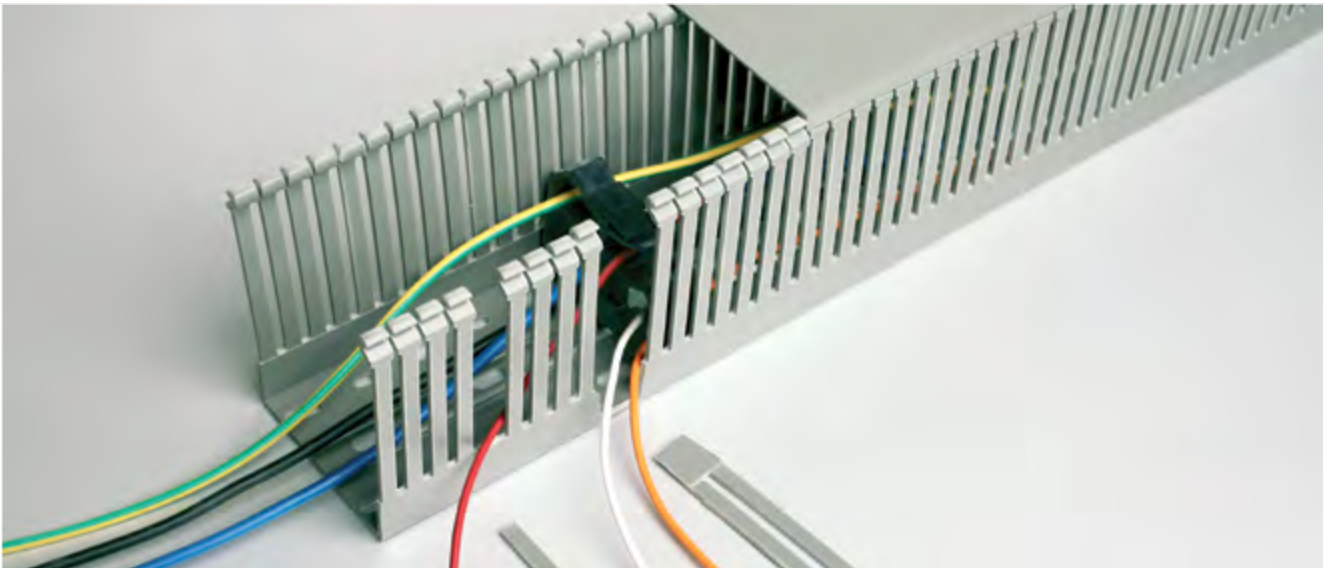


40 x 80 mm

CODE	GREY	3141.1.11.6
	BLUE	3141.2.21.6
LENGHT	2 m	
SECTION	40 x 80 mm	
PACKAGE TOTAL (m)	36 m	
WEIGHT (kg)	21.40 kg	
VOLUME (m <sup>3</sup> )	0.126 m <sup>3</sup>	

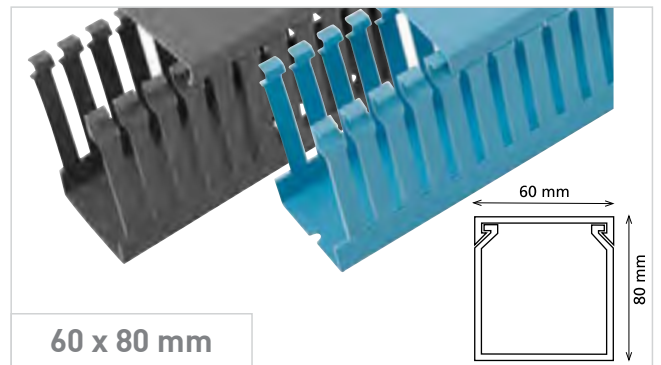
# PVC SLOTTED TYPE CABLE TRUNKINGS

**RSM**



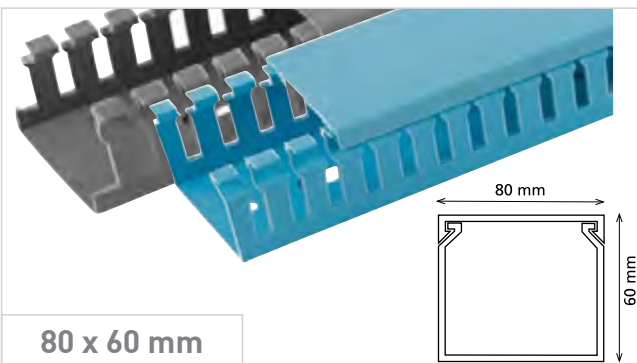
**60 x 60 mm**

<b>CODE</b>	GREY	3141.1.11.7
	BLUE	3141.2.21.7
<b>LENGHT</b>		2 m
<b>SECTION</b>		60 x 60 mm
<b>PACKAGE TOTAL (m)</b>		32 m
<b>WEIGHT (kg)</b>		20.14 kg
<b>VOLUME (m<sup>3</sup>)</b>		0.126 m <sup>3</sup>



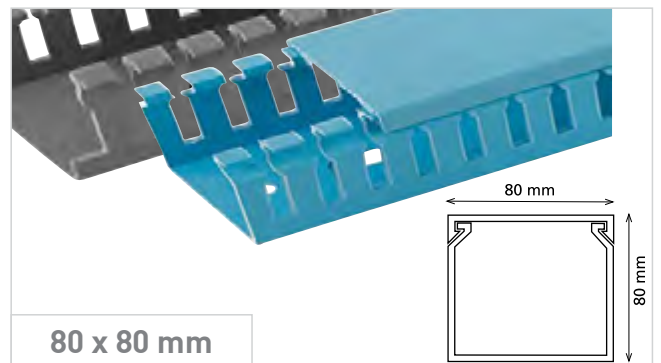
**60 x 80 mm**

<b>CODE</b>	GREY	3141.1.11.8
	BLUE	3141.2.21.8
<b>LENGHT</b>		2 m
<b>SECTION</b>		60 x 80 mm
<b>PACKAGE TOTAL (m)</b>		24 m
<b>WEIGHT (kg)</b>		17.50 kg
<b>VOLUME (m<sup>3</sup>)</b>		0.126 m <sup>3</sup>



**80 x 60 mm**

<b>CODE</b>	GREY	3141.1.11.9
	BLUE	3141.2.21.9
<b>LENGHT</b>		2 m
<b>SECTION</b>		80 x 60 mm
<b>PACKAGE TOTAL (m)</b>		24 m
<b>WEIGHT (kg)</b>		18.50 kg
<b>VOLUME (m<sup>3</sup>)</b>		0.126 m <sup>3</sup>



**80 x 80 mm**

<b>CODE</b>	GREY	3141.1.11.10
	BLUE	3141.2.21.10
<b>LENGHT</b>		2 m
<b>SECTION</b>		80 x 80 mm
<b>PACKAGE TOTAL (m)</b>		20 m
<b>WEIGHT (kg)</b>		21.30 kg
<b>VOLUME (m<sup>3</sup>)</b>		0.130 m <sup>3</sup>