



2150.04.1
2150.04.3



2150.04.2
2150.04.4

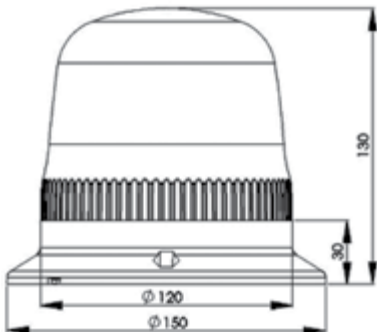
Code No	Lamp	Color	Nominal Voltage
2150.04.1	Led	Red	12 - 24 V AC / DC
2150.04.2	Led	Yellow	12 - 24 V AC / DC
2150.04.3	Led	Red	220 V AC
2150.04.4	Led	Yellow	220 V AC

General Features

- W0 plastic body
- Fireproof plastic body
- Polycarbonate lens
- Protection Degree IP67
- It is unaffected by water, dust, heat and UV rays.
- Wear-free due to the absence of any moving components
- Long life
- 8 Different signal effects

Technical Dimensions

Operating Voltage (Ue)	: 12-24V AC/DC
Operating Power	: 10W (max.)
Lamp Type	: LED
Operating Temperature	: min./max. °C -20/+50
Insulation Voltage (Ui)	: 300V
Dielectric Strength	: 1.500 V AC (or 1 minute)
Protection Degree	: IP67
Connection Type	: With Cable
Electrical Life	: 20 000 Hour



MOD	1	2	3	4
Rotation 100 RPM	↑	↑	↑	X
One Flash	↑	↑	↓	X
Three Flash	↑	↓	↑	X
Six Flash	↑	↓	↓	X
Blink	↓	↑	↑	X
Continuous Flash*	↓	↑	↓	X
Right-Left Flash	↓	↓	↑	X
Rotation 160 RPM	↓	↓	↓	X

X = Not used

↑ = Up

↓ = Down

* In 220V AC models, this mode is off