



2 Stage Signal Tower  
2150.03.1.2 - 2150.03.8.2



4 Stage Signal Tower  
2150.03.1.4 - 2150.03.8.4



Single Stage Signal Tower  
2150.03.1.1 - 2150.03.8.1



3 Stage Signal Tower  
2150.03.1.3 - 2150.03.8.3



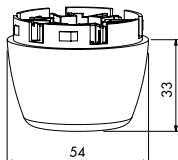
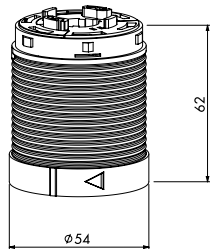
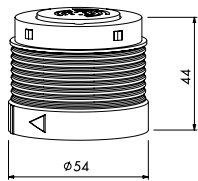
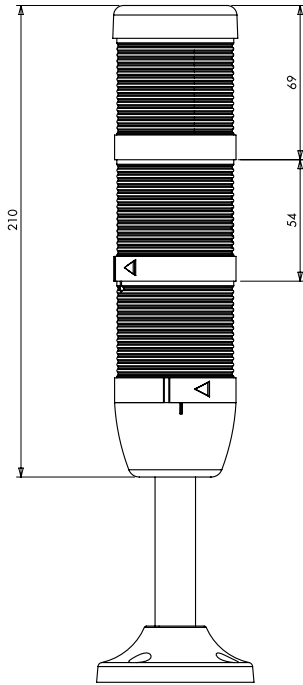
5 Stage Signal Tower  
2150.03.1.5 - 2150.03.8.5

### Ø 50 mm Complete Signal Tower Types

| Code No     | Stage | Lamp         | Voltage       | Buzzer | Asmb. Part  |
|-------------|-------|--------------|---------------|--------|-------------|
| 2150.03.1.1 | One   | Led          | 024 V AC / DC | -      | 110 mm Base |
| 2150.03.1.2 | Two   | Led          | 024 V AC / DC | -      | 110 mm Base |
| 2150.03.1.3 | Three | Led          | 024 V AC / DC | -      | 110 mm Base |
| 2150.03.1.4 | Four  | Led          | 024 V AC / DC | -      | 110 mm Base |
| 2150.03.1.5 | Five  | Led          | 024 V AC / DC | -      | 110 mm Base |
| 2150.03.2.1 | One   | Flashing Led | 024 V AC / DC | -      | 110 mm Base |
| 2150.03.2.2 | Two   | Flashing Led | 024 V AC / DC | -      | 110 mm Base |
| 2150.03.2.3 | Three | Flashing Led | 024 V AC / DC | -      | 110 mm Base |
| 2150.03.2.4 | Four  | Flashing Led | 024 V AC / DC | -      | 110 mm Base |
| 2150.03.2.5 | Five  | Flashing Led | 024 V AC / DC | -      | 110 mm Base |
| 2150.03.3.1 | One   | Led          | 024 V AC / DC | ✓      | 110 mm Base |
| 2150.03.3.2 | Two   | Led          | 024 V AC / DC | ✓      | 110 mm Base |
| 2150.03.3.3 | Three | Led          | 024 V AC / DC | ✓      | 110 mm Base |
| 2150.03.3.4 | Four  | Led          | 024 V AC / DC | ✓      | 110 mm Base |
| 2150.03.3.5 | Five  | Led          | 024 V AC / DC | ✓      | 110 mm Base |
| 2150.03.4.1 | One   | Flashing Led | 024 V AC / DC | ✓      | 110 mm Base |
| 2150.03.4.2 | Two   | Flashing Led | 024 V AC / DC | ✓      | 110 mm Base |
| 2150.03.4.3 | Three | Flashing Led | 024 V AC / DC | ✓      | 110 mm Base |
| 2150.03.4.4 | Four  | Flashing Led | 024 V AC / DC | ✓      | 110 mm Base |
| 2150.03.4.5 | Five  | Flashing Led | 024 V AC / DC | ✓      | 110 mm Base |
| 2150.03.5.1 | One   | Led          | 220 V AC      | -      | 110 mm Base |
| 2150.03.5.2 | Two   | Led          | 220 V AC      | -      | 110 mm Base |
| 2150.03.5.3 | Three | Led          | 220 V AC      | -      | 110 mm Base |
| 2150.03.5.4 | Four  | Led          | 220 V AC      | -      | 110 mm Base |
| 2150.03.5.5 | Five  | Led          | 220 V AC      | -      | 110 mm Base |
| 2150.03.6.1 | One   | Flashing Led | 220 V AC      | -      | 110 mm Base |
| 2150.03.6.2 | Two   | Flashing Led | 220 V AC      | -      | 110 mm Base |
| 2150.03.6.3 | Three | Flashing Led | 220 V AC      | -      | 110 mm Base |
| 2150.03.6.4 | Four  | Flashing Led | 220 V AC      | -      | 110 mm Base |
| 2150.03.6.5 | Five  | Flashing Led | 220 V AC      | -      | 110 mm Base |
| 2150.03.7.1 | One   | Led          | 220 V AC      | ✓      | 110 mm Base |
| 2150.03.7.2 | Two   | Led          | 220 V AC      | ✓      | 110 mm Base |
| 2150.03.7.3 | Three | Led          | 220 V AC      | ✓      | 110 mm Base |
| 2150.03.7.4 | Four  | Led          | 220 V AC      | ✓      | 110 mm Base |
| 2150.03.7.5 | Five  | Led          | 220 V AC      | ✓      | 110 mm Base |
| 2150.03.8.1 | One   | Flashing Led | 220 V AC      | ✓      | 110 mm Base |
| 2150.03.8.2 | Two   | Flashing Led | 220 V AC      | ✓      | 110 mm Base |
| 2150.03.8.3 | Three | Flashing Led | 220 V AC      | ✓      | 110 mm Base |
| 2150.03.8.4 | Four  | Flashing Led | 220 V AC      | ✓      | 110 mm Base |
| 2150.03.8.5 | Five  | Flashing Led | 220 V AC      | ✓      | 110 mm Base |

### General Features

- Heat resistant, clear vision Polycarbonate signal modules
- Modular construction
- Ø50, Ø70 diameter options
- LED, flashing LED bulb options
- Easy and tool free connections
- Easy wiring thanks to terminal block
- Connection modules for machine and wall
- Buzzer Options



2 Stage Signal Tower  
With Buzzer  
2150.03.3.2 - 2150.03.8.2



4 Stage Signal Tower  
With Buzzer  
2150.03.3.4 - 2150.03.8.4



Single Stage Signal Tower  
With Buzzer  
2150.03.2.1 - 2150.03.8.1



3 Stage Signal Tower  
With Buzzer  
2150.03.3.3 - 2150.03.8.3



5 Stage Signal Tower  
With Buzzer  
2150.03.3.5 - 2150.03.8.5

### Technical Features

|   |   |
|---|---|
| Mechanical Life                         | : 1000 assembly cycle                                 |
| Electrical Life                         | : 10.000 hour   |
| Operating Temperature                   | : min./max. °C -5/+40                                 |
| Operating Voltage (Ue)                  | : 24 V AC / DC - 220V AC / DC                         |
| Insulation Voltage (Ui)                 | : 300 V   |
| Protection Degree                       | : IP65  |
| Operating Current (Ie)                  | : 10 (4) A  |
| Frequency (f)                           | : 50 Hz   |
| Power consumption (per module + buzzer) | : 0,6W/1,8W   |
| Volume (SP)                             | : 90 dB   |
| Standard                                | : TS EN 60947-1 TS EN 60947-5-1<br>TS EN 60947-5-1/A1 |