



2 Stage Signal Tower
2150.03.9.2 - 2150.03.16.2



4 Stage Signal Tower
2150.03.9.4 - 2150.03.16.4



Single Stage Signal Tower
2150.03.9.1 - 2150.03.16.1



3 Stage Signal Tower
2150.03.9.3 - 2150.03.16.3



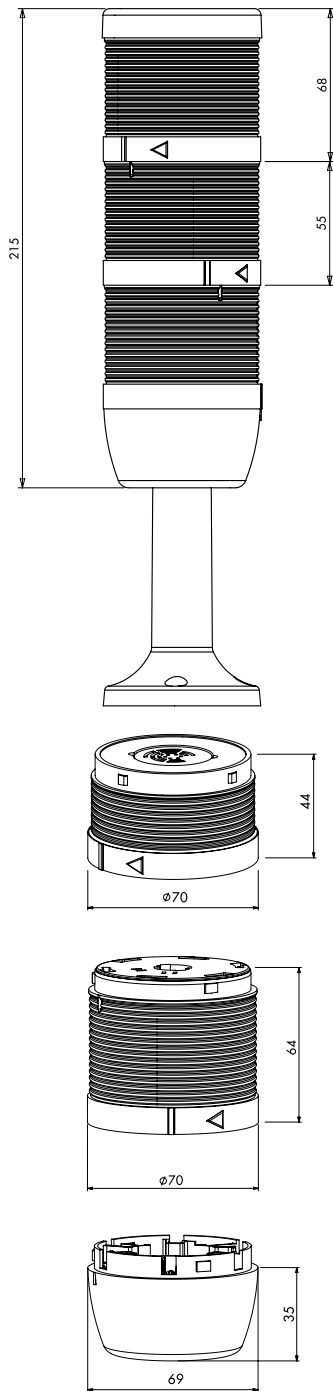
5 Stage Signal Tower
2150.03.9.5 - 2150.03.16.5

Ø 70 mm Complete Signal Tower Types

| Code No | Stage | Lamp | Voltage | Buzzer | Asmb. Part |
|--------------|-------|--------------|---------------|--------|-------------|
| 2150.03.9.1 | One | Led | 024 V AC / DC | - | 110 mm Base |
| 2150.03.9.2 | Two | Led | 024 V AC / DC | - | 110 mm Base |
| 2150.03.9.3 | Three | Led | 024 V AC / DC | - | 110 mm Base |
| 2150.03.9.4 | Four | Led | 024 V AC / DC | - | 110 mm Base |
| 2150.03.9.5 | Five | Led | 024 V AC / DC | - | 110 mm Base |
| 2150.03.10.1 | One | Flashing Led | 024 V AC / DC | - | 110 mm Base |
| 2150.03.10.2 | Two | Flashing Led | 024 V AC / DC | - | 110 mm Base |
| 2150.03.10.3 | Three | Flashing Led | 024 V AC / DC | - | 110 mm Base |
| 2150.03.10.4 | Four | Flashing Led | 024 V AC / DC | - | 110 mm Base |
| 2150.03.10.5 | Five | Flashing Led | 024 V AC / DC | - | 110 mm Base |
| 2150.03.11.1 | One | Led | 024 V AC / DC | ✓ | 110 mm Base |
| 2150.03.11.2 | Two | Led | 024 V AC / DC | ✓ | 110 mm Base |
| 2150.03.11.3 | Three | Led | 024 V AC / DC | ✓ | 110 mm Base |
| 2150.03.11.4 | Four | Led | 024 V AC / DC | ✓ | 110 mm Base |
| 2150.03.11.5 | Five | Led | 024 V AC / DC | ✓ | 110 mm Base |
| 2150.03.12.1 | One | Flashing Led | 024 V AC / DC | ✓ | 110 mm Base |
| 2150.03.12.2 | Two | Flashing Led | 024 V AC / DC | ✓ | 110 mm Base |
| 2150.03.12.3 | Three | Flashing Led | 024 V AC / DC | ✓ | 110 mm Base |
| 2150.03.12.4 | Four | Flashing Led | 024 V AC / DC | ✓ | 110 mm Base |
| 2150.03.12.5 | Five | Flashing Led | 024 V AC / DC | ✓ | 110 mm Base |
| 2150.03.13.1 | One | Led | 220 V AC | - | 110 mm Base |
| 2150.03.13.2 | Two | Led | 220 V AC | - | 110 mm Base |
| 2150.03.13.3 | Three | Led | 220 V AC | - | 110 mm Base |
| 2150.03.13.4 | Four | Led | 220 V AC | - | 110 mm Base |
| 2150.03.13.5 | Five | Led | 220 V AC | - | 110 mm Base |
| 2150.03.14.1 | One | Flashing Led | 220 V AC | - | 110 mm Base |
| 2150.03.14.2 | Two | Flashing Led | 220 V AC | - | 110 mm Base |
| 2150.03.14.3 | Three | Flashing Led | 220 V AC | - | 110 mm Base |
| 2150.03.14.4 | Four | Flashing Led | 220 V AC | - | 110 mm Base |
| 2150.03.14.5 | Five | Flashing Led | 220 V AC | - | 110 mm Base |
| 2150.03.15.1 | One | Led | 220 V AC | ✓ | 110 mm Base |
| 2150.03.15.2 | Two | Led | 220 V AC | ✓ | 110 mm Base |
| 2150.03.15.3 | Three | Led | 220 V AC | ✓ | 110 mm Base |
| 2150.03.15.4 | Four | Led | 220 V AC | ✓ | 110 mm Base |
| 2150.03.15.5 | Five | Led | 220 V AC | ✓ | 110 mm Base |
| 2150.03.16.1 | One | Flashing Led | 220 V AC | ✓ | 110 mm Base |
| 2150.03.16.2 | Two | Flashing Led | 220 V AC | ✓ | 110 mm Base |
| 2150.03.16.3 | Three | Flashing Led | 220 V AC | ✓ | 110 mm Base |
| 2150.03.16.4 | Four | Flashing Led | 220 V AC | ✓ | 110 mm Base |
| 2150.03.16.5 | Five | Flashing Led | 220 V AC | ✓ | 110 mm Base |

General Features

- Heat resistant, clear vision Polycarbonate signal modules
- Modular construction
- Ø50, Ø70 diameter options
- LED, flashing LED bulb options
- Easy and tool free connections
- Easy wiring thanks to terminal block
- Connection modules for machine and wall
- Buzzer Options



2 Stage Signal Tower
With Buzzer
2150.03.10.2 - 2150.03.16.2



4 Stage Signal Tower
With Buzzer
2150.03.10.4 - 2150.03.16.4



Single Stage Signal Tower
With Buzzer
2150.03.10.1 - 2150.03.16.1



3 Stage Signal Tower
With Buzzer
2150.03.10.3 - 2150.03.16.3



5 Stage Signal Tower
With Buzzer
2150.03.10.5 - 2150.03.16.5

Technical Features

| | |
|---|---|
| Mechanical Life | : 1000 assembly cycle |
| Electrical Life | : 10.000 hour |
| Operating Temperature | : min./max. °C -5/+40 |
| Operating Voltage (Ue) | : 24 V AC / DC - 220V AC / DC |
| Insulation Voltage (Ui) | : 300 V |
| Protection Degree | : IP65 |
| Operating Current (Ie) | : 10 (4) A |
| Frequency (f) | : 50 Hz |
| Power consumption (per module + buzzer) | : 0,6W/1,8W |
| Volume (SP) | : 90 dB |
| Standard | : TS EN 60947-1 TS EN 60947-5-1 TS EN 60947-5-1/A1 |